



MUARLITE INDUSTRIES SDN. BHD.

PRODUCT CATALOG

Street Lighting, Indoor Lighting
& Accessories



☎ 06-9812555

✉ muarlite@yahoo.com

🌐 www.muarlite.com.my

📍 KM3, Jalan Temenggong Ahmad,
84000 Muar, Johor

Table of Contents

01

About Company

03

02

Our Products

04

03

Street Light HPSV

10

04

Street Light LED

12

05

Street Light LED Solar

15

06

Accessories

19

07

Our Projects

28

About Company



Datuk Haji Mohd Ismail Bin Haji Mohd Shah

An MBA graduate from the University of Bath, UK, Datuk Haji Mohd Ismail is the founder of Muarlite Industries Sdn. Bhd., established in 1989 and recognized for its SIRIM-certified street lighting products. With roots in the construction industry, he has grown Muarlite into a trusted brand. Actively involved in community and sports, he has held leadership roles in local associations and charitable organizations in Johor.

He passed away on 25th October 2025, leaving behind a lasting legacy of dedication and service. His legacy is now carried forward by his children, led by Puan Azrenda binti Datuk Haji Mohd Ismail as Managing Director.

Muarlite Industries Sdn. Bhd.

Founded in 1989 and officiated by YAB Tan Sri Muhyiddin Yassin, Muarlite Industries began with 30 employees and has grown to a workforce of 100 employees. The company specializes in manufacturing street lighting and accessories, with products ranging from traditional fittings to modern LED street lights.

Recognized by SIRIM, TNB, UPM, UTM, and international labs, Muarlite supplies quality-certified products to major clients such as TNB, JKR, local councils, and private contractors. As an ISO 9001:2015 and ISO 14001:2015 certified company, Muarlite continues to strengthen its position in Malaysia and aims to expand into global markets.



Our Products



HPSV

Lorem ipsum dolor sit amet, consectetur adipiscing elit, sed diam nonummy nibh.



LED/LED DS

Lorem ipsum dolor sit amet, consectetur adipiscing elit, sed diam nonummy nibh.



SOLAR

Lorem ipsum dolor sit amet, consectetur adipiscing elit, sed diam nonummy nibh.



FLOODLIGHT

Lorem ipsum dolor sit amet, consectetur adipiscing elit, sed diam nonummy nibh.



HIGHBAY LIGHTING

Lorem ipsum dolor sit amet, consectetur adipiscing elit, sed diam nonummy nibh.



COMPOUND LIGHTING

Lorem ipsum dolor sit amet, consectetur adipiscing elit, sed diam nonummy nibh.



MINI ISOLATOR

Lorem ipsum dolor sit amet, consectetur adipiscing elit, sed diam nonummy nibh.



ACCESSORIES

Lorem ipsum dolor sit amet, consectetur adipiscing elit, sed diam nonummy nibh.



STREET LANTERN HPSV

- MIL 7 (70W)
- MIL 10 (100W)
- MIL 15 (150W)
- MAL 16 (150W, 250W)
- MAL 18 (250W, 400W)

STREET LANTERN MIL 10 100W



TECHNICAL DATA		MIL 10
ELECTRICAL	Wattage	100 W
	Voltage	220-240V~
	Frequency	50/60Hz
	Current	1.2A
	Type Of Lamp	HPSV SON
	Electrical Insulation	CLASS 1
	Power Factor	≥0.85
	Cable Supply	4.0mm ²
IP	Optical Compartment	IP 66
	Control Gear	IP44
MATERIAL	Optical System	Bowl Tempered Clear Curved Glass
	Reflector	Anodized Finished On Hydroformed Aluminum Faceted
	Body Material	Die-Cast Aluminium
	Gasket	Silicon Sealed Optic
	Lamp Holder	E40 Type Ceramic
OTHERS	Weight	5.5 Kg
	ECG	Removable control Gear Tray 150*3mmX140*3mmX90*3mm
	Lamp Replacement	Without Tools
	Fixing System	Universal Connection For Spigot With Max Ø42mm
	Dimensions casing	631*3mm X 256*3mm X133*3mm
	Installation Attitude	Normal position
	Mounting Height	8-10 meter
APPROVAL		MS IEC 60598-2-3, MS IEC 60598-1 CIE 121 PHOTOMETRIC, Wind Tunnel Tested 150km/H

STREET LANTERN MIL 15 150W



TECHNICAL DATA		MIL 15
ELECTRICAL	Wattage	150 W
	Voltage	220-240V~
	Frequency	50/60Hz
	Current	1.8A
	Type Of Lamp	HPSV SON
	Electrical Insulation	CLASS 1
	Power Factor	≥0.85
	Cable Supply	4.0mm ²
IP	Optical Compartment	IP 66
	Control Gear	IP44
MATERIAL	Optical System	Bowl Tempered Clear Curved Glass
	Reflector	Anodized Finished On Hydroformed Aluminum Faceted
	Body Material	Die-Cast Aluminium
	Gasket	Silicon Sealed Optic
	Lamp Holder	E40 Type Ceramic
OTHERS	Weight	5.5 Kg
	ECG	Removable control Gear Tray 150*3mmX140*3mmX90*3mm
	Lamp Replacement	Without Tools
	Fixing System	Universal Connection For Spigot With Max Ø42mm
	Dimensions casing	630*3mm X 256*3mm X133*3mm
	Installation Attitude	Normal position
	Mounting Height	8-10 meter
APPROVAL	MS IEC 60598-2-3, MS IEC 60598-1 CIE 121 PHOTOMETRIC, Wind Tunnel Tested 150km/H	

STREET LANTERN MAL 16 150W



TECHNICAL DATA		MAL 16 - 150W
ELECTRICAL	Wattage	150 W
	Voltage	220-240V~
	Frequency	50Hz
	Current	1.8A
	Type Of Lamp	HPSV SON
	Electrical Insulation	CLASS 1
	Power Factor	≥0.85
	Cable Supply	4.0mm ²
IP	Optical Compartment	IP 65
	Control Gear	IP44
MATERIAL	Optical System	Bowl Tempered Clear Curved Glass
	Reflector	Anodized Finished On Hydroformed Aluminum Faceted
	Body Material	Die-Cast Aluminium
	Gasket	Silicon Sealed Optic
	Lamp Holder	E40 Type Ceramic
OTHERS	Weight	7.0 Kg
	ECG	Removable control Gear Tray
	Lamp Replacement	Without Tools
	Fixing System	Universal Connection For Spigot With Max Ø42mm
	Size	655±3.0mm (L) x140±3.0mm (H) x306.0±3.0mm (W)
APPROVAL		MS IEC 60598-2-3, MS IEC 60598-1 CIE 121 PHOTOMETRIC, Wind Tunnel Tested 150km/H SIRIM

STREET LANTERN MATL 16 250W



	TECHNICAL DATA	MAL 16 - 250W
ELECTRICAL	Wattage	250 W
	Voltage	220-240V~
	Frequency	50Hz
	Current	1.8A
	Type Of Lamp	HPSV SON
	Electrical Insulation	CLASS 1
	Power Factor	≥0.85
	Cable Supply	4.0mm ²
IP	Optical Compartment	IP 65
	Control Gear	IP44
MATERIAL	Optical System	Bowl Tempered Clear Curved Glass
	Reflector	Anodized Finished On Hydroformed Aluminum Faceted
	Body Material	Die-Cast Aluminium
	Gasket	Silicon Sealed Optic
	Lamp Holder	E40 Type Ceramic
OTHERS	Weight	8.7 Kg
	ECG	Removable control Gear Tray
	Lamp Replacement	Without Tools
	Fixing System	Universal Connection For Spigot With Max Ø42mm
	Size	655±3.0mm (L) x140±3.0mm (H) x306.0±3.0mm (W)
APPROVAL	MS IEC 60598-2-3, MS IEC 60598-1 CIE 121 PHOTOMETRIC, Wind Tunnel Tested 150km/H SIRIM	

STREET LANTERN MAL 18 250W



	TECHNICAL DATA	MAL 18- 250W
ELECTRICAL	Wattage	250 W
	Voltage	220-240V~
	Frequency	50Hz
	Current	3.0A
	Type Of Lamp	HPSV SON
	Electrical Insulation	CLASS 1
	Power Factor	≥0.85
	Cable Supply	4.0mm ²
IP	Optical Compartment	IP 66
	Control Gear	IP44
MATERIAL	Optical System	Bowl Tempered Clear Curved Glass
	Reflector	Anodized Finished On Hydroformed Aluminum Faceted
	Body Material	Die-Cast Aluminium
	Gasket	Silicon Sealed Optic
	Lamp Holder	E40 Type Ceramic
OTHERS	Weight	13.6 Kg
	ECG	Removable control Gear Tray
	Lamp Replacement	Without Tools
	Fixing System	Universal Connection For Spigot With Ø50mm-Ø60mm
	Size	860*3.0mm (L) x170*3.0mm (H) x370.0*3.0mm (W)
APPROVAL	MS IEC 60598-2-3, MS IEC 60598-1 CIE 121 PHOTOMETRIC, Wind Tunnel Tested 150km/H SIRIM	

STREET LANTERN MAL 18 400W



TECHNICAL DATA		MAL 18- 400W
ELECTRICAL	Wattage	400 W
	Voltage	220-240V~
	Frequency	50Hz
	Current	4.6A
	Type Of Lamp	HPSV SON
	Electrical Insulation	CLASS 1
	Power Factor	≥0.85
	Cable Supply	4.0mm ²
IP	Optical Compartment	IP 66
	Control Gear	IP44
MATERIAL	Optical System	Bowl Tempered Clear Curved Glass
	Reflector	Anodized Finished On Hydroformed Aluminum Faceted
	Body Material	Die-Cast Aluminium
	Gasket	Silicon Sealed Optic
	Lamp Holder	E40 Type Ceramic
OTHERS	Weight	14.5 Kg
	ECG	Removable control Gear Tray
	Lamp Replacement	Without Tools
	Fixing System	Universal Connection For Spigot With Ø50mm-Ø60mm
	Size	860*3.0mm (L) x170*3.0mm (H) x370.0*3.0mm (W)
APPROVAL		MS IEC 60598-2-3, MS IEC 60598-1 CIE 121 PHOTOMETRIC, Wind Tunnel Tested 150km/H SIRIM



STREET LANTERN LED

- MLILED 80W
- MLILED (DS) 80W
- MLILED 100W
- MLILED (DS) 100W
- MLILED 120W
- MLILED (DS) 120W
- MLILED 150W
- MLILED (DS) 150W
- MLILED 180W
- MLILED (DS) 180W
- MLILED 200W
- MLILED (DS) 200W

LANTERN MLILED 80W



PARAMETER	MODEL NO.	MLILED 80W
ELECTRICAL	Voltage	220-240 V~
	Frequency	50/60 Hz
	Wattage	80 W
	Power Factor (I)	≥ 0.95
	Current (A)	0.35A
	Surge Protective Device Rating	25kA
	Class	I
INGRESS PROTECTION	LED module	IP 66
	Electronic Converter	IP 66
	Control Gear compartment	IP 66
	Surge Protective Device	IP 66
OPTICAL	LED Quantity	36pcs
	Color temperature CCRT	3500K, 4000K, 5700K
	Cri	Ra > 70
	Luminous Efficacy	150 lm/W
	Beam angle	140° x 65°
TEMPERATURE	Shell temperature	-40°C~ +80°C
	Converter temperature	ta 60°C tc 85°C
	Surge Protective Device	85°C
	Ambient Temperature	35°C
OTHERS	Weight (Kg)	6.5 Kg
	Position	Normal Position
	Mounting	6 - 10 meter
	Housing material	Die-cast aluminum
	Packaging box	640x330x175mm
	Dimension	553x250x7mm

LANTERN MLILED (DS) 80W



PARAMETER	MODEL NO.	MLILED 80W
ELECTRICAL	Voltage	220-240 V~
	Frequency	50/60 Hz
	Wattage	80 W
	Power Factor (I)	≥ 0.95
	Current (A)	0.35A
	Surge Protective Device Rating	25kA
	Receptacle	7 pin, 480V
Class	I	
INGRESS PROTECTION	LED module	IP 66
	Electronic Converter	IP 66
	Control Gear compartment	IP 66
	Surge Protective Device	IP 66
	Shorting cap	IP 66
OPTICAL	LED Quantity	36pcs
	Color temperature CCRT	3500K, 4000K, 5700K
	Cri	Ra > 70
	Luminous Efficacy	150 lm/W
	Beam angle	120°
TEMPERATURE	Shell temperature	-40°C~ +80°C
	Converter temperature	ta 60°C tc 85°C
	Surge Protective Device	85°C
	Shorting cap	85°C
	Ambient Temperature	35°C
OTHERS	Weight (Kg)	6.1 Kg
	Position	Normal Position
	Mounting	8 - 12 meter
	Housing material	Die-cast aluminum
	Packaging box	640x330x175mm
	Dimension	553x250x7mm

LANTERN MLILED 100W



PARAMETER	MODEL NO.	MLILED 100W
ELECTRICAL	Voltage	220-240 V~
	Frequency	50/60 Hz
	Wattage	100 W
	Power Factor (I)	≥ 0.95
	Current (A)	0.42A
	Surge Protective Device Rating	25kA
	Class	I
INGRESS PROTECTION	LED module	IP 66
	Electronic Converter	IP 66
	Control Gear compartment	IP 66
	Surge Protective Device	IP 66
OPTICAL	LED Quantity	72pcs
	Color temperature CCRT	3500K, 4000K, 5700K
	Cri	≥ Ra 70.0
	Luminous Efficacy	≥ 150.00 lm/W
	Beam angle	120°
TEMPERATURE	Shell temperature	-40°C~ +80°C
	Converter temperature	ta 60°C tc 85°C
	Surge Protective Device	85°C
	Ambient Temperature	35°C
OTHERS	Weight (Kg)	6.5 Kg
	Position	Normal Position
	Mounting	8- 12 meter
	Housing material	Die-cast aluminum
	Packaging box	640x330x175mm
	Dimension	553x250x7mm

LANTERN MLILED (DS) 100W



PARAMETER	MODEL NO.	MLILED (DS) 100W
ELECTRICAL	Voltage	220-240 V~
	Frequency	50/60 Hz
	Wattage	100 W
	Power Factor (I)	≥ 0.95
	Current (A)	0.42A
	Surge Protective Device Rating	25kA
	Receptacle	7 pin, 480V
	Class	I
INGRESS PROTECTION	LED module	IP 66
	Electronic Converter	IP 66
	Control Gear compartment	IP 66
	Surge Protective Device	IP 66
	Shorting cap	IP 66
OPTICAL	LED Quantity	72pcs
	Color temperature CCRT	3500K, 4000K, 5700K
	Cri	≥ Ra 70.0
	Luminous Efficacy	≥ 150.0 lm/W
	Beam angle	120°
TEMPERATURE	Shell temperature	-40°C~ +80°C
	Converter temperature	ta 60°C tc 85°C
	Surge Protective Device	85°C
	Shorting cap	85°C
	Ambient Temperature	35°C
OTHERS	Weight (Kg)	6.5 Kg
	Position	Normal Position
	Mounting	8 - 12 meter
	Housing material	Die-cast aluminum
	Packaging box	640x330x175mm
	Dimension	553x250x7mm

LANTERN MILED 120W



PARAMETER	MODEL NO.	MILED 120W
ELECTRICAL	Voltage	220-240 V~
	Frequency	50/60 Hz
	Wattage	120 W
	Power Factor (l)	≥ 0.95
	Current (A)	0.50A
	Surge Protective Device Rating	25kA
	Receptacle	7 pin, 480V
Class	I	
INGRESS PROTECTION	LED module	IP 66
	Electronic Converter	IP 66
	Control Gear compartment	IP 66
	Surge Protective Device	IP 66
	Shorting cap	IP 66
OPTICAL	LED Quantity	72pcs
	Color temperature CCRT	3500K, 4000K, 5700K
	Cri	≥ Ra 70.0
	Luminous Efficacy	≥ 150.0 lm/W
	Beam angle	120°
TEMPERATURE	Shell temperature	-40°C~ +80°C
	Converter temperature	ta 60°C tc 85°C
	Surge Protective Device	85°C
	Shorting cap	85°C
	Ambient Temperature	35°C
OTHERS	Weight (Kg)	6.5 Kg
	Position	Normal Position
	Mounting	8 - 12 meter
	Housing material	Die-cast aluminum
	Packaging box	640x330x175mm
	Dimension	553x250x7mm

LANTERN MLILED (DS) 120W



PARAMETER	MODEL NO.	MLILED (DS) 120W
ELECTRICAL	Voltage	220-240 V~
	Frequency	50/60 Hz
	Wattage	120 W
	Power Factor (I)	≥ 0.95
	Current (A)	0.50A
	Surge Protective Device Rating	25kA
	Receptacle	7 pin, 480V
	Class	I
INGRESS PROTECTION	LED module	IP 66
	Electronic Converter	IP 66
	Control Gear compartment	IP 66
	Surge Protective Device	IP 66
	Shorting cap	IP 66
OPTICAL	LED Quantity	72pcs
	Color temperature CCRT	3500K, 4000K, 5700K
	Cri	≥ Ra 70.0
	Luminous Efficacy	≥ 150.0 lm/W
	Beam angle	120°
TEMPERATURE	Shell temperature	-40°C~ +80°C
	Converter temperature	ta 60°C tc 85°C
	Surge Protective Device	85°C
	Shorting cap	85°C
	Ambient Temperature	35°C
OTHERS	Weight (Kg)	6.5 Kg
	Position	Normal Position
	Mounting	8 - 12 meter
	Housing material	Die-cast aluminum
	Packaging box	640x330x175mm
	Dimension	553x250x7mm

LANTERN MLILED 150W



PARAMETER	MODEL NO.	MLILED 150W
ELECTRICAL	Voltage	220-240 V~
	Frequency	50/60 Hz
	Wattage	150 W
	Power Factor (I)	≥ 0.95
	Current (A)	0.7A
	Surge Protective Device Rating	25kA
	Class	I
INGRESS PROTECTION	LED module	IP 66
	Electronic Converter	IP 66
	Control Gear compartment	IP 66
	Surge Protective Device	IP 66
OPTICAL	LED Quantity	72pcs
	Color temperature CCRT	3500K, 4000K, 5700K
	Cri	≥ Ra 70.0
	Luminous Efficacy	≥ 150.0 lm/W
	Beam angle	120°
TEMPERATURE	Shell temperature	-40°C~ +80°C
	Converter temperature	ta 60°C tc 85°C
	Surge Protective Device	85°C
	Shorting cap	85°C
	Ambient Temperature	35°C
OTHERS	Weight (Kg)	6.5 Kg
	Position	Normal Position
	Mounting	8 - 12 meter
	Housing material	Die-cast aluminum
	Packaging box	640x330x175mm
	Dimension	553x250x7mm

LANTERN MLILED (DS) 150W



PARAMETER	MODEL NO.	MLILED (DS)150W
ELECTRICAL	Voltage	220-240 V~
	Frequency	50/60 Hz
	Wattage	150 W
	Power Factor (I)	≥ 0.95
	Current (A)	0.7A
	Surge Protective Device Rating	25kA
	Receptacle	7 pin, 480V
INGRESS PROTECTION	Class	I
	LED module	IP 66
	Electronic Converter	IP 66
	Control Gear compartment	IP 66
	Surge Protective Device	IP 66
OPTICAL	Shorting cap	IP 66
	LED Quantity	72pcs
	Color temperature CCRT	3500K, 4000K, 5700K
	Cri	≥ Ra 70.0
	Luminous Efficacy	≥ 150.0 lm/W
TEMPERATURE	Beam angle	120°
	Shell temperature	-40°C~ +80°C
	Converter temperature	ta 60°C tc 85°C
	Surge Protective Device	85°C
	Shorting cap	85°C
OTHERS	Ambient Temperature	35°C
	Weight (Kg)	6.5 Kg
	Position	Normal Position
	Mounting	8 - 12 meter
	Housing material	Die-cast aluminum
	Packaging box	640x330x175mm
Dimension	553x250x7mm	

LED STREET LANTERN MLLED 180W



	DESCRIPTION	
ELECTRICAL	Input Voltage	220-240V~
	Frequency	50/60 Hz
	Wiring	Wiring
	Power Factor (I)	0.95
	Current (A)	0.8
	Surge Protective Device Rating	25kA
	Class	Class
PROTECTION	LED Module	LED Module
	Electronic Converter	Electronic Converter
	Control Gear Compartment	Control Gear Compartment
	Surge Protective Device	Surge Protective Device
OPTICAL	LED Quantity	120
	Color Temperature	3500K-4000K
	Beam Angle	≥ 100.0
	Luminous Efficacy	150 Lm/W
	Beam Angle	120°
TEMPERATURE	Storage Temperature	-40°C to 80°C
	Operating Temperature	-40°C to 85°C
	Surge Protective Device	Surge Protective Device
	Ambient Temperature	35°C
DIMENSIONS	Weight (Kg)	Weight (Kg)
	Normal Position	Normal Position
	8 Mounting	8 Mounting
	Dimensions (mm)	Dimensions (mm)
	90x150x150mm	90x150x150mm
	868±3mm±3mm	868±3mm±3mm

LED STREET LANTERN MLLED (DS) 180W



MLLED (DS) 180W		
ELECTRICAL	220-240V~	
	50/60Hz	
	W800lm	
	Power Factor (I)	
	Current (A)	
	Surge Protective Device Rating	
	Rated Voltage	
	Class	
	MECHANICAL PROTECTION	LED Module
		Electronic Converter
Control Gear Compartment		
Surge Protective Device		
Shock cap		
OPTICAL	LED Quantity	
	CRI >= 70.0	
	Luminous Efficacy	
	Beam Angle	
	TEMPERATURE	Shell Temperature
Control Gear Temperature		
Surge Protective Device		
Shock cap		
Ambient Temperature		
DIMENSIONS	Weight (Kg)	
	Normal Position	
	8 Modemeter	
	Dimensional Unit	
	900x450x150mm	
	868±3mm±3mm	

LED STREET LANTERN MLILED 200W



PARAMETER	MODEL NO.	MLILED 200W
ELECTRICAL	Voltage	220-240 V~
	Frequency	50/60 Hz
	Wattage	200 W
	Power Factor (I)	≥ 0.95
	Current (A)	0.9A
	Surge Protective Device Rating	25kA
	Class	I
INGRESS PROTECTION	LED module	IP 66
	Electronic Converter	IP 66
	Control Gear compartment	IP 66
	Surge Protective Device	IP 66
OPTICAL	LED Quantity	120pcs
	Color temperature CCRT	3500K, 4000K, 5700K
	Cri	≥ Ra 70.0
	Luminous Efficacy	≥ 150.0 lm/W
	Beam angle	120°
TEMPERATURE	Shell temperature	-40°C~ +80°C
	Converter temperature	ta 60°C tc 85°C
	Surge Protective Device	85°C
	Ambient Temperature	35°C
OTHERS	Weight (Kg)	9.5 Kg
	Position	Normal Position
	Mounting	8 - 12 meter
	Housing material	Die-cast aluminum
	Packaging box	900x350x150mm
	Dimension	868*3x340*3x131*3mm

LED STREET LANTERN MLILED (DS) 200W



PARAMETER	MODEL NO.	MLILED (DS) 200W
ELECTRICAL	Voltage	220-240 V~
	Frequency	50/60 Hz
	Wattage	180 W
	Power Factor (I)	≥ 0.95
	Current (A)	0.9A
	Surge Protective Device Rating	25kA
	Receptacle	7 pin, 480V
	Class	I
INGRESS PROTECTION	LED module	IP 66
	Electronic Converter	IP 66
	Control Gear compartment	IP 66
	Surge Protective Device	IP 66
	Shorting cap	IP 66
OPTICAL	LED Quantity	120pcs
	Color temperature CCRT	3500K, 4000K, 5700K
	Cri	≥ Ra 70.0
	Luminous Efficacy	≥ 150.0 lm/W
	Beam angle	120°
TEMPERATURE	Shell temperature	-40°C~ +80°C
	Converter temperature	ta 60°C tc 85°C
	Surge Protective Device	85°C
	Shorting cap	85°C
	Ambient Temperature	35°C
OTHERS	Weight (Kg)	9.5 Kg
	Position	Normal Position
	Mounting	8 - 12 meter
	Housing material	Die-cast aluminum
	Packaging box	900x350x150mm
	Dimension	868+3x340+3x131+3mm

05



SOLAR ST SERIES

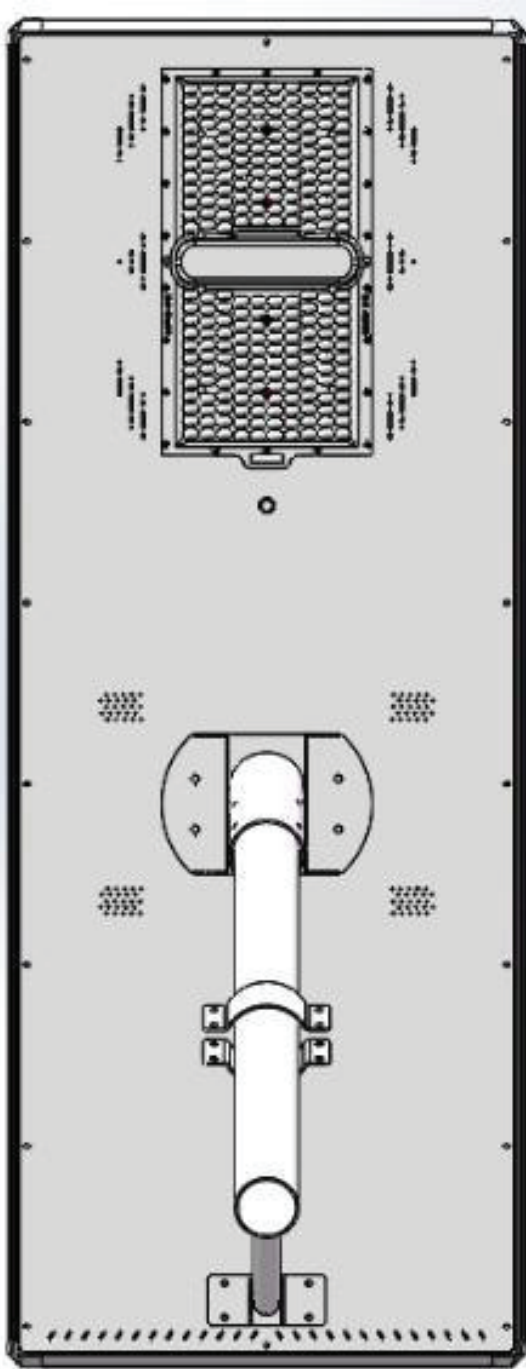


MLISOL ST Series

- Panels Power: 160 – 320W
- Lumen: 17000 – 20400lm



Integrated Structure Design



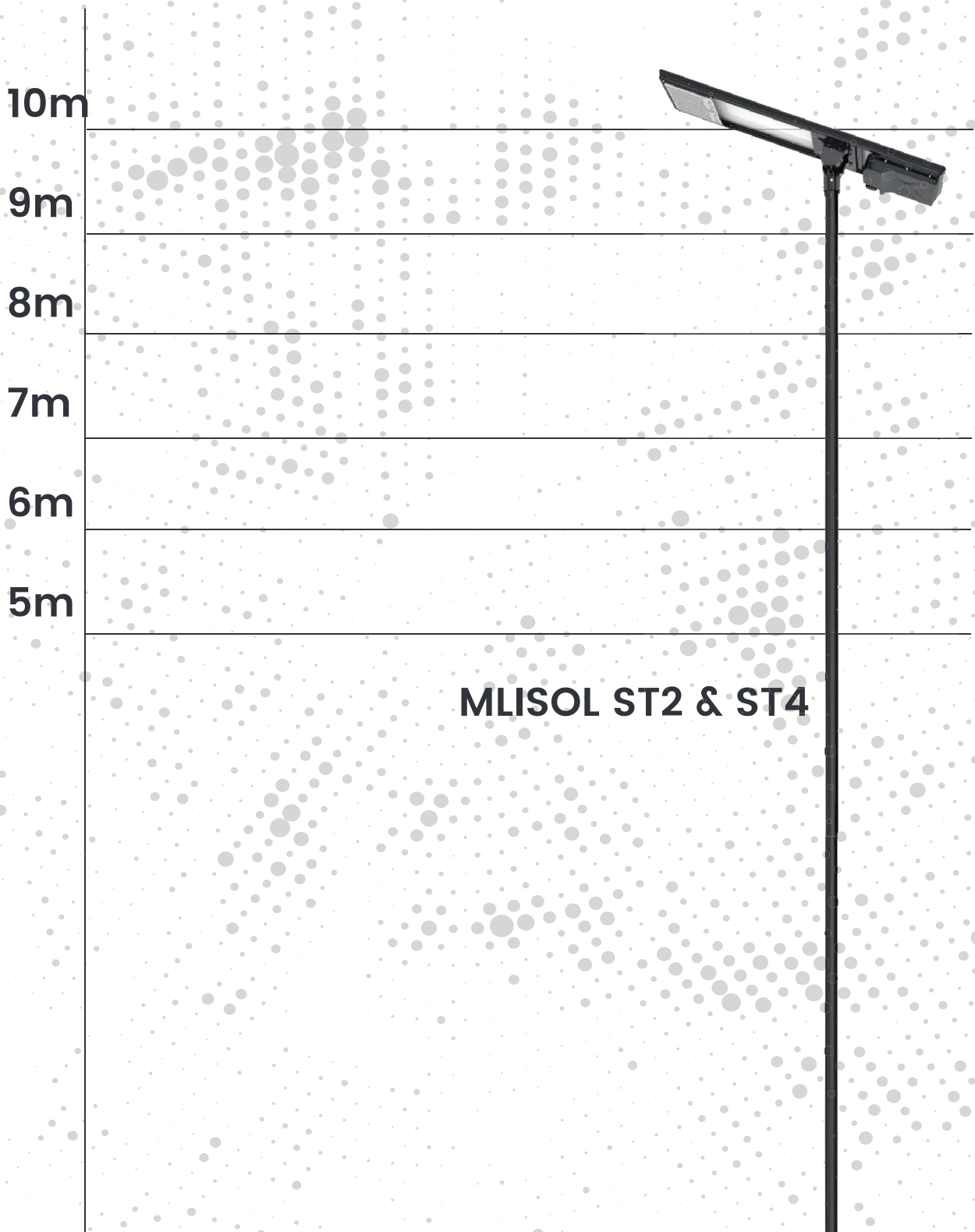
MLISOL ST2



MLISOL ST4

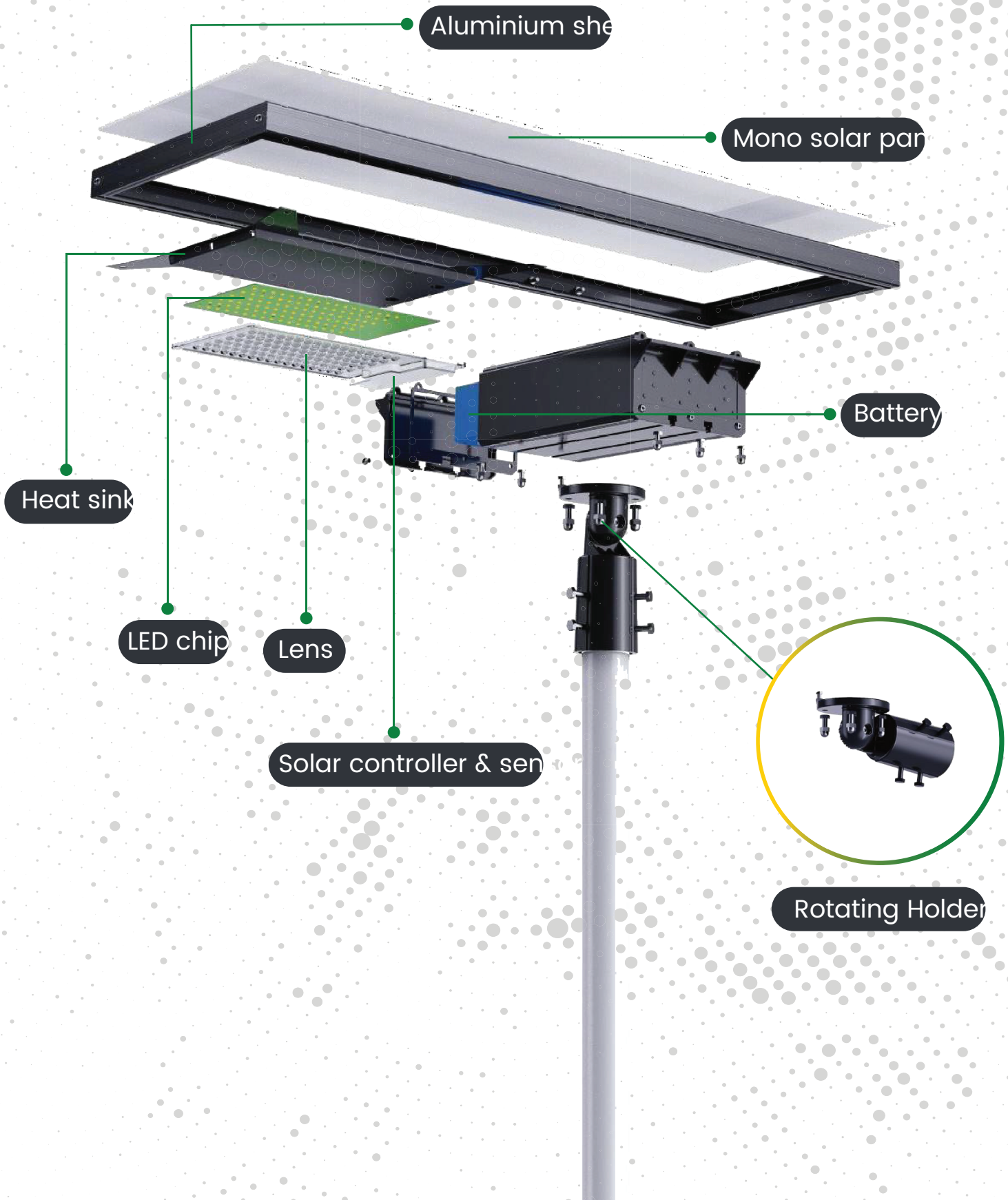
Integrated Structure Design

Lamp post installation height recommendation diagram



MLISOL ST2 & ST4

Internals



Core Technologies

Patented Appearance

Integrated design of solar panel, microcomputer controller, lithium battery and high-efficiency LED



Modular design

Modular design of battery and LED chip, transportation, installation and maintenance are more economical and simple light source



Proprietary control system

Self-developed solar controller can adjust different working modes freely, unique control system with more functions, stability is stronger; Option of microwave induction function to save power and have longer lighting time



The fourth generation of intelligent power control

Upgraded intelligent power control function to regulator reasonable discharge power according to intelligent judgment of recent weather conditions, support longer lighting time and more rainy daylight source



Intelligent high-efficiency lamp chips

280pcs of 5050 lamp chips, optimized brightness, the whole lighting efficiency is greater than 160lm/w light source



Intelligent charge and discharge management

Double protection of charging and discharging by software and hardware, and intelligent equalization technology, cycle charging and discharging more than 2000 times light source



Professional light distribution design

Equipped with patented lens to make the irradiation area more uniform light source



Indicator lights of battery capacity

Indicator lights of battery capacity display the power of the lamp obviously, which is convenient to observe the charging and discharging of the lamp light source

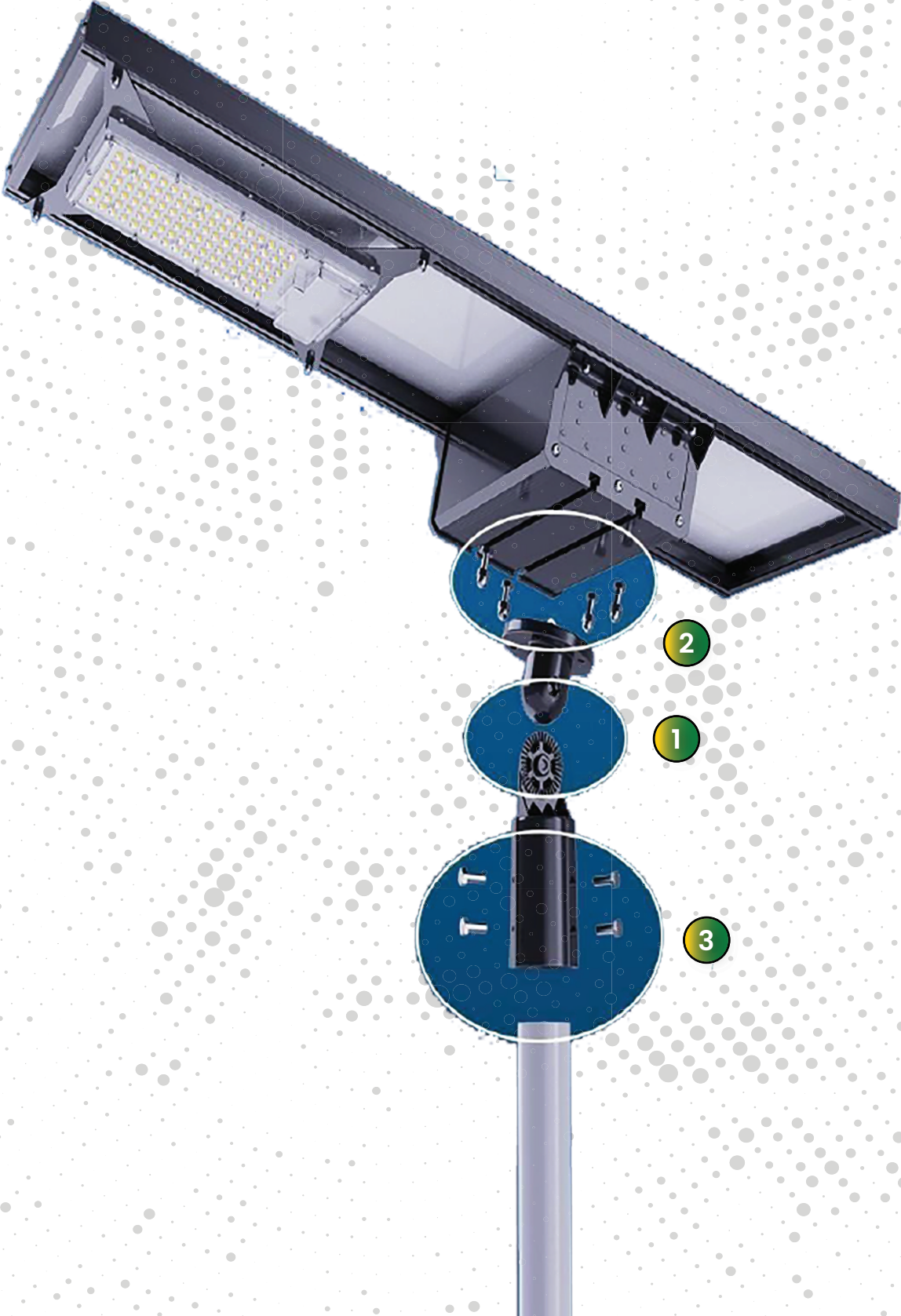


Rotating angle design

The illumination area and angle of light can be adjusted reasonably according to the width of the road light source



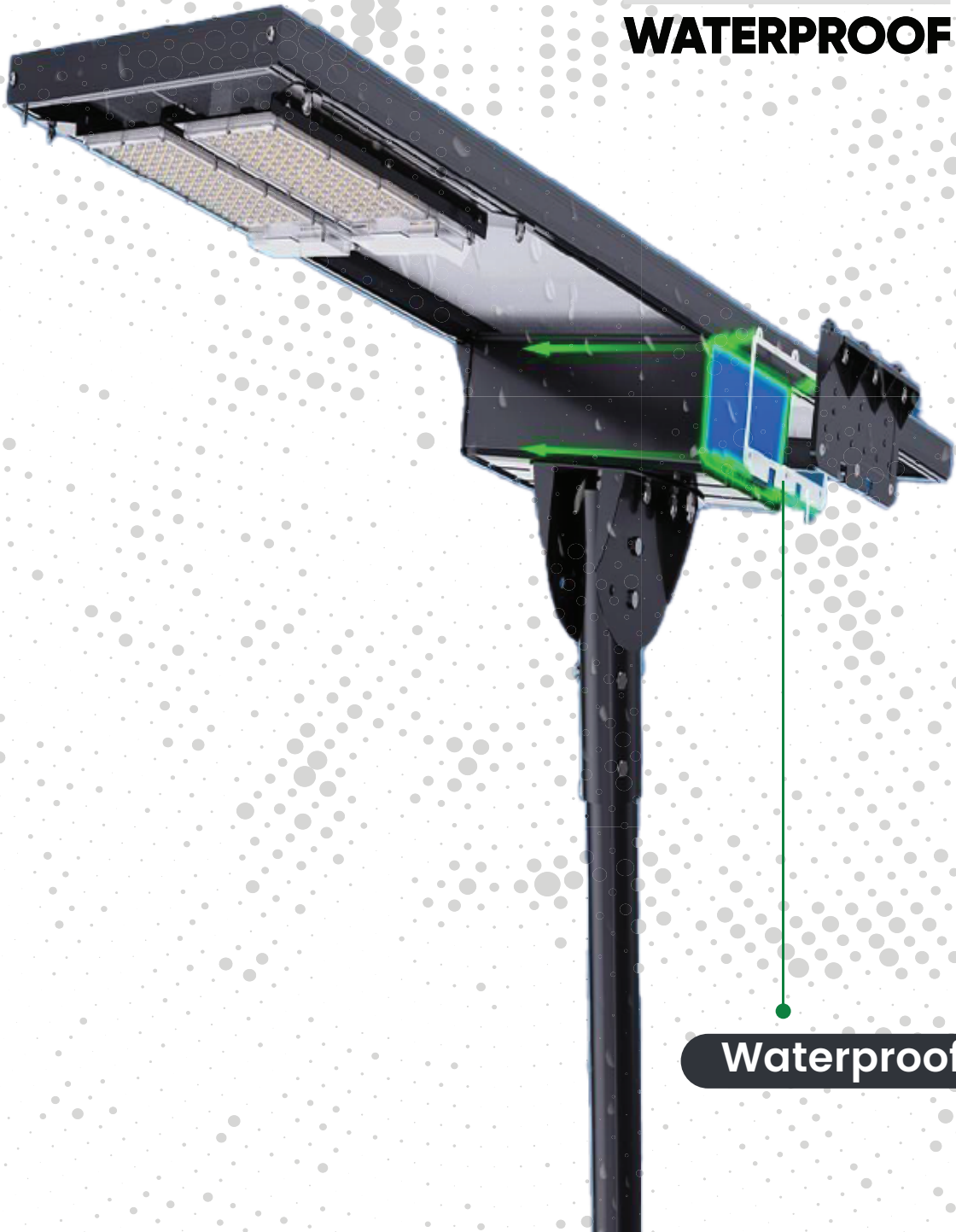
Easy installation only 3 steps, 5 minutes



Waterproof Technology

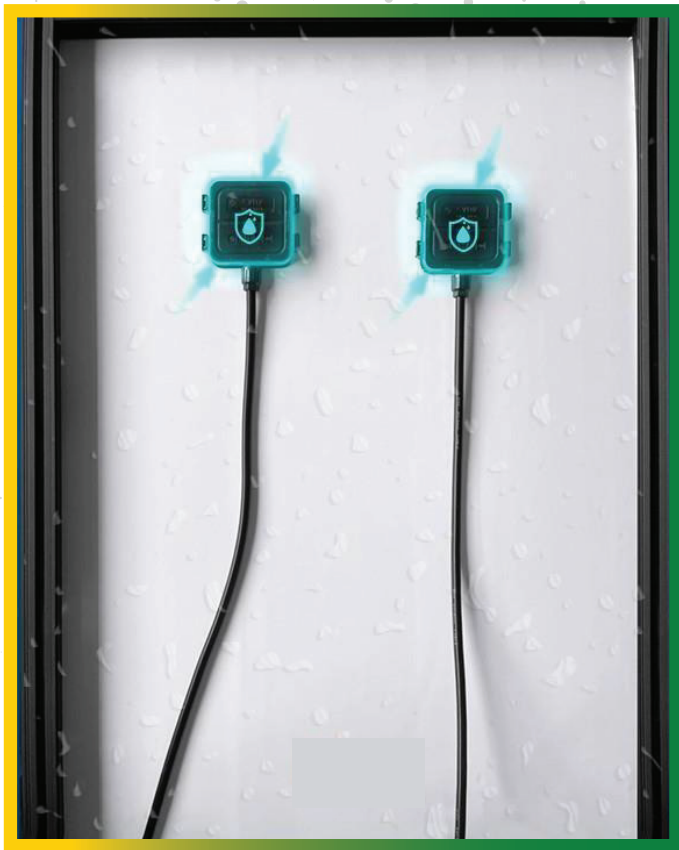


WATERPROOF



Waterproof ring

Waterproof Solar Panel Junction Box



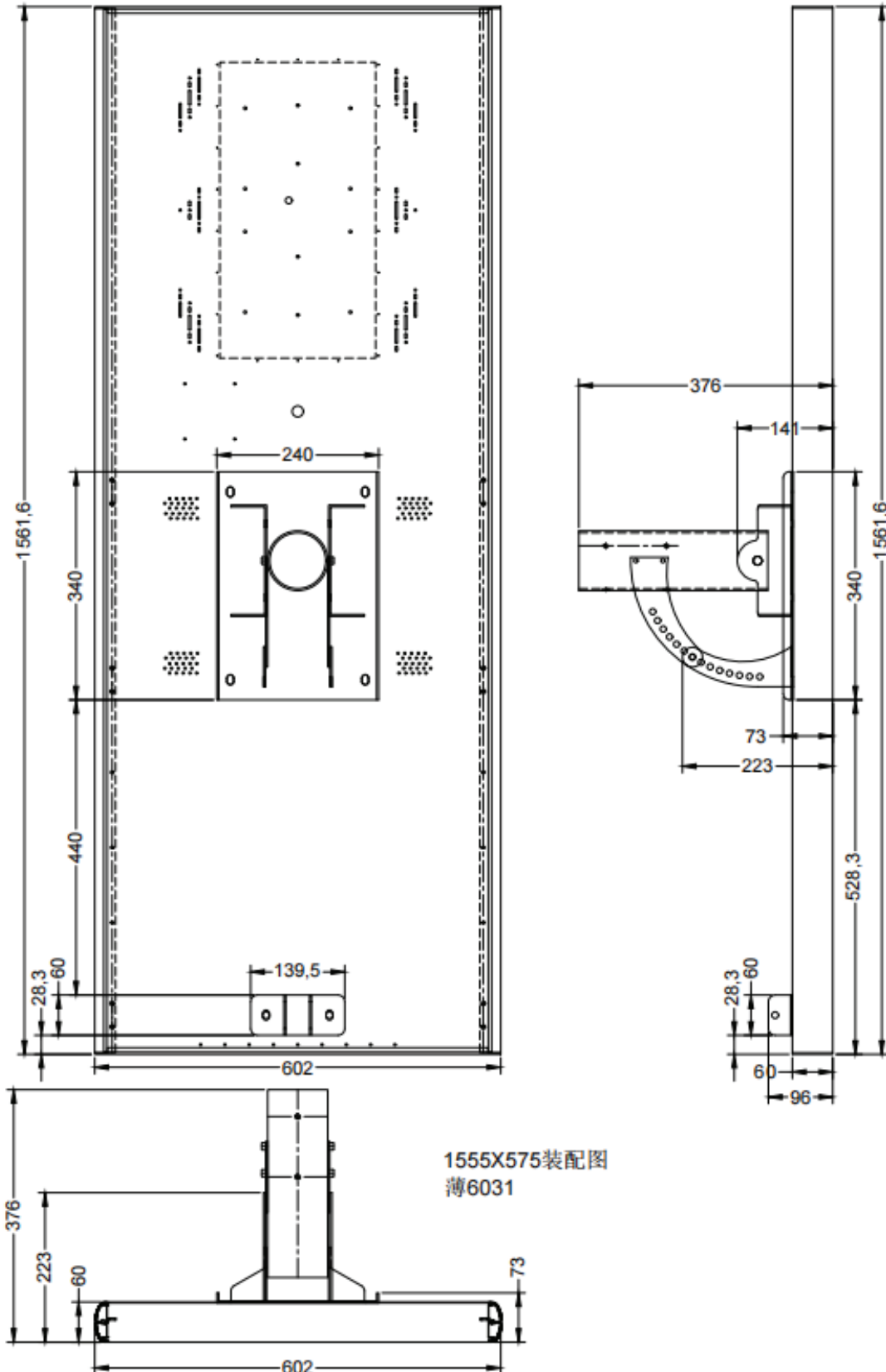
Ours



Others

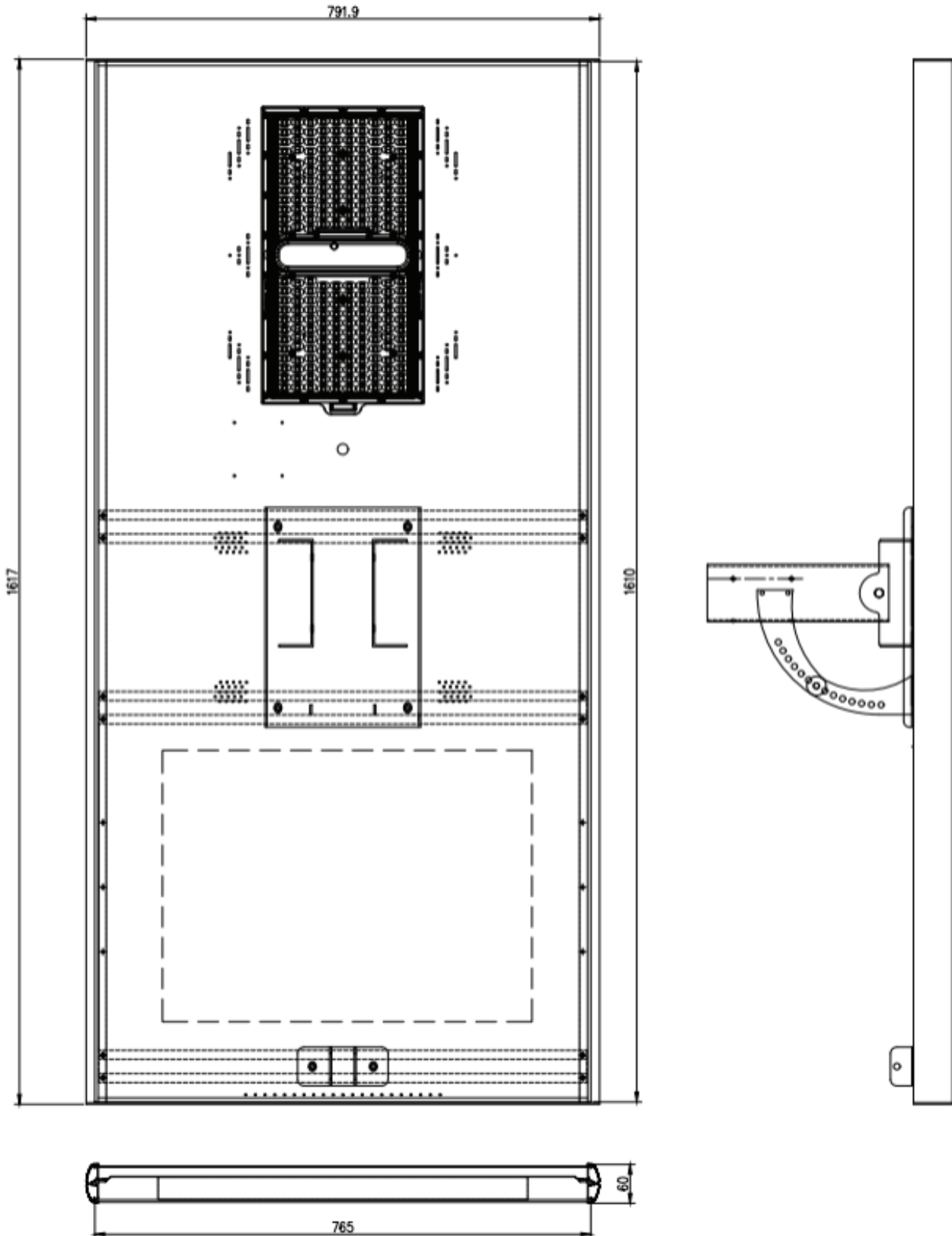
Dimension

MLISOL ST2-100W



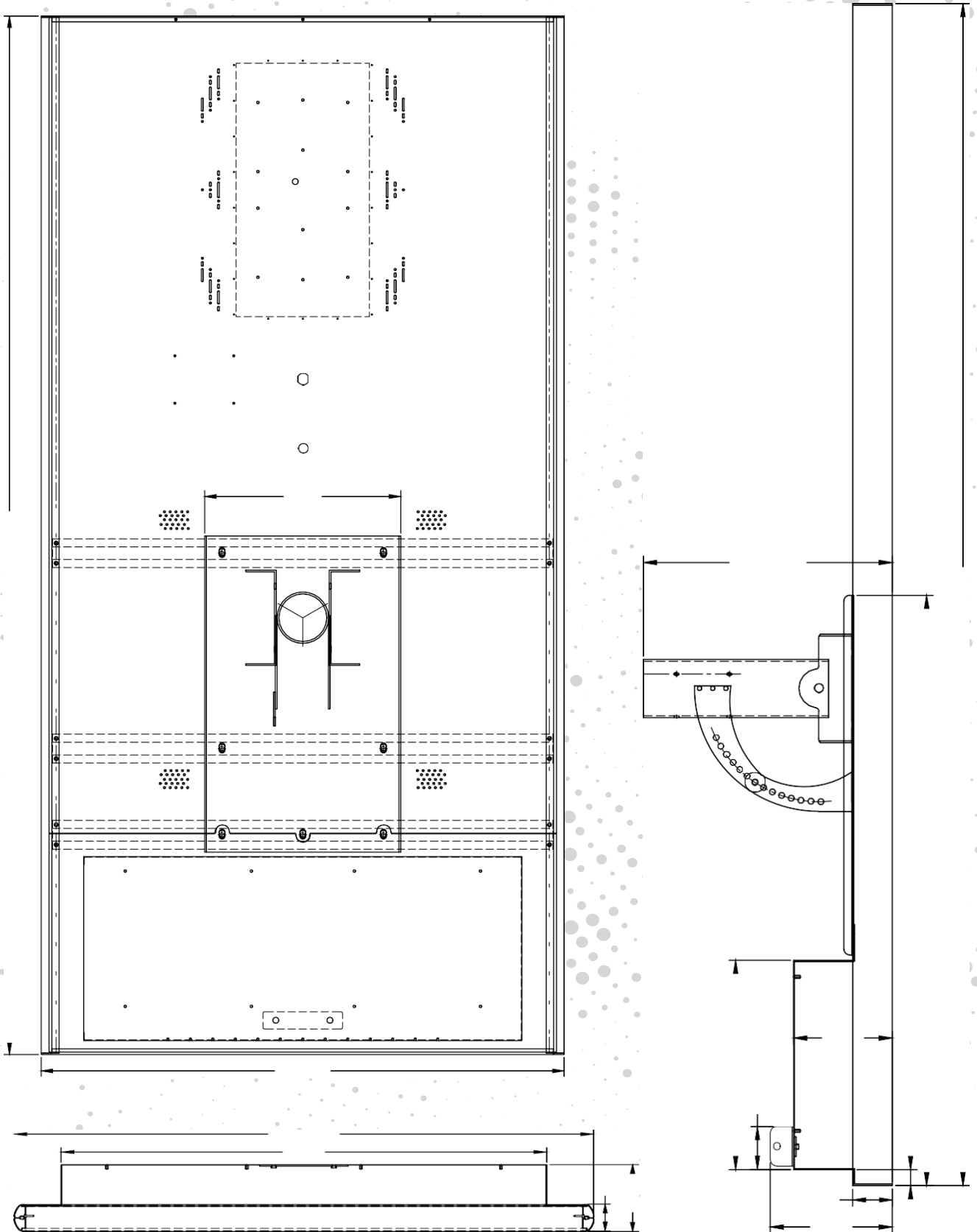
Dimension

MLISOL ST2-120W

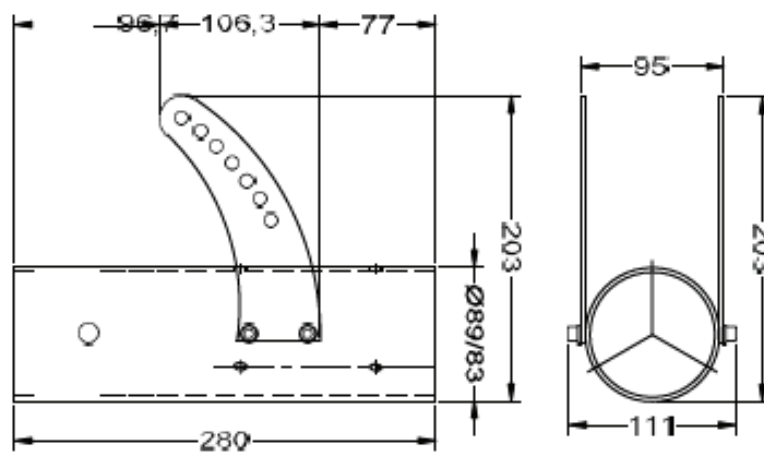
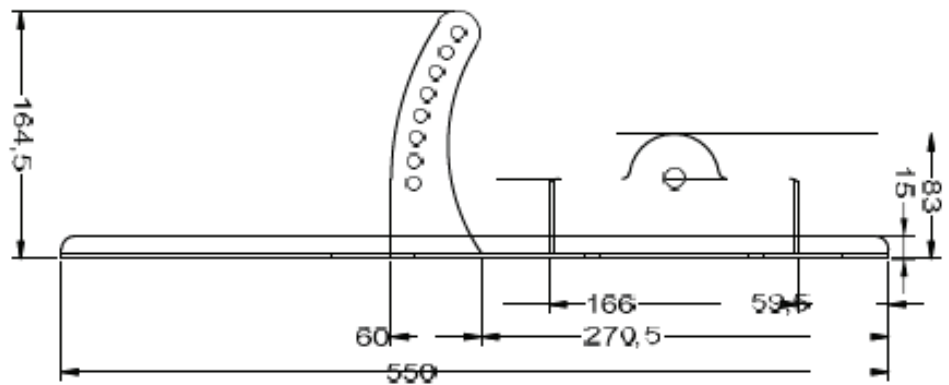
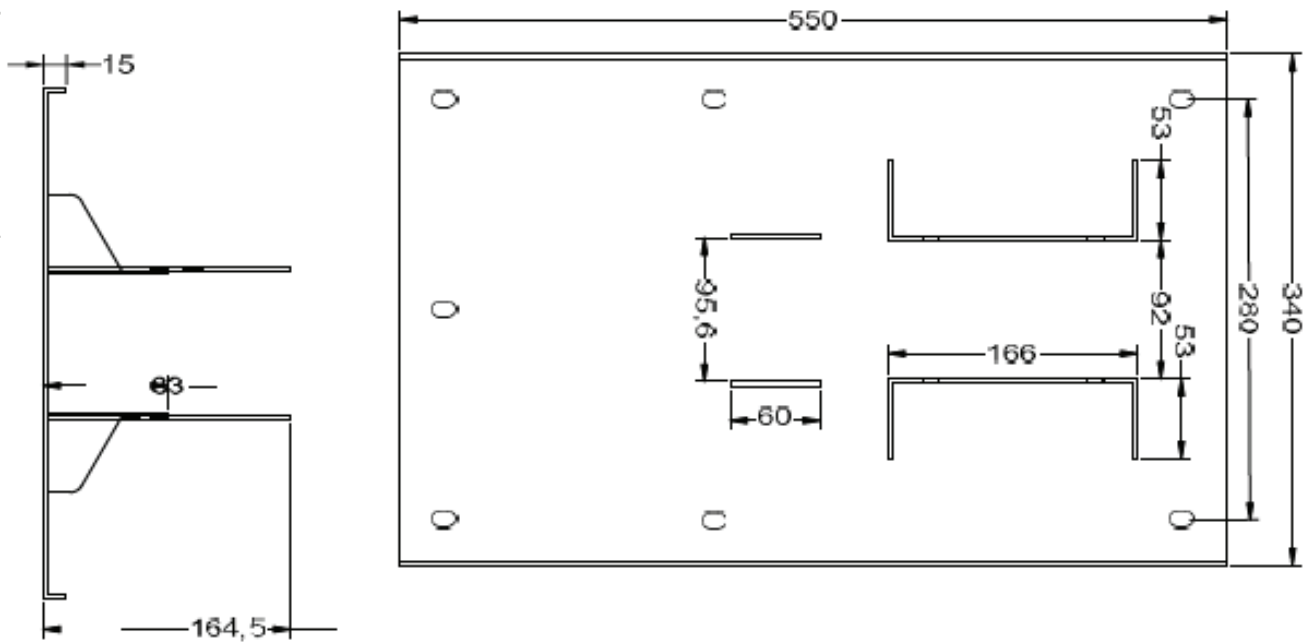


Dimension

MLISOL ST4-120W



Dimension



Parameter

Type	MLISOL ST2-100W	MLISOL ST2-120W	MLISOL ST4-120W
LAMP HEAD			
Luminous flux	17,000lm	20,400lm	
Efficacy	170lm/w		
LED Chip	5050 (240 pieces)		
Lifespan	50000hrs		
IP Rating	IP65		
Working temperature	-20°C~60°C (Charge above 0°C)		
Color temperature	2000k-7000k	3000k-3500k	
CRI	Ra≥70		
Working Mode	2hr - 100%, 4hr - 60%, 6hr - 40%		12hr - 100%
SOLAR PANEL			
Power	160W	210W	320W
Voltage	36V		
Solar cell efficiency	19%-22%		
Material	Monocrystalline silicon		
BATTERY			
Capacity	1536Wh	2300Wh	5120Wh
Lighting time(full charged)	≥ 2 Rainy Days	≥ 3 Rainy Days	
Working Temperature	-20 to 60 OC		
Lithium battery	LiFePO4		
INSTALLATION			
Dimensions	1561mm x 602mm	1617mm x 792mm	1807mm x 906.9 mm
Smart Control	Yes		
Top diameter of pole	76mm		
Mounting height	8-12m		
Warranty	5 Years		

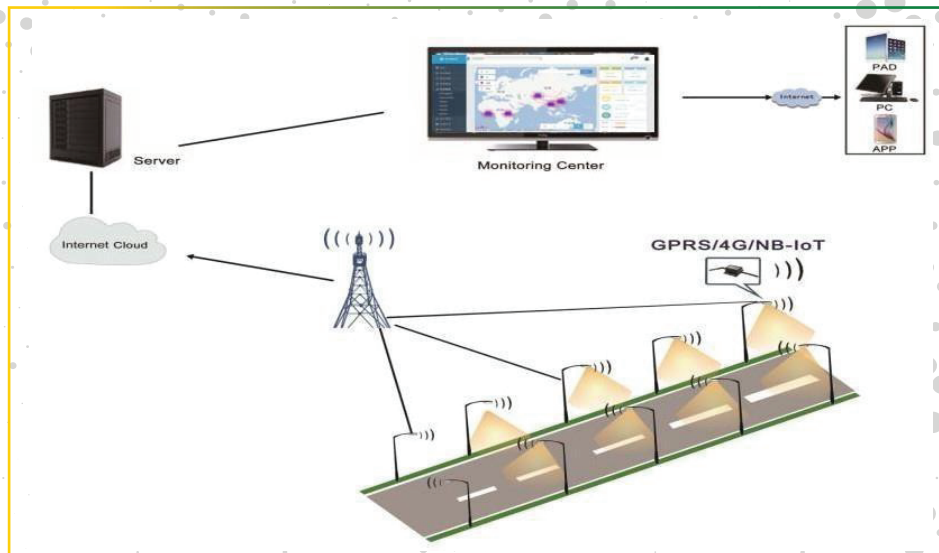
Smart System



External Module

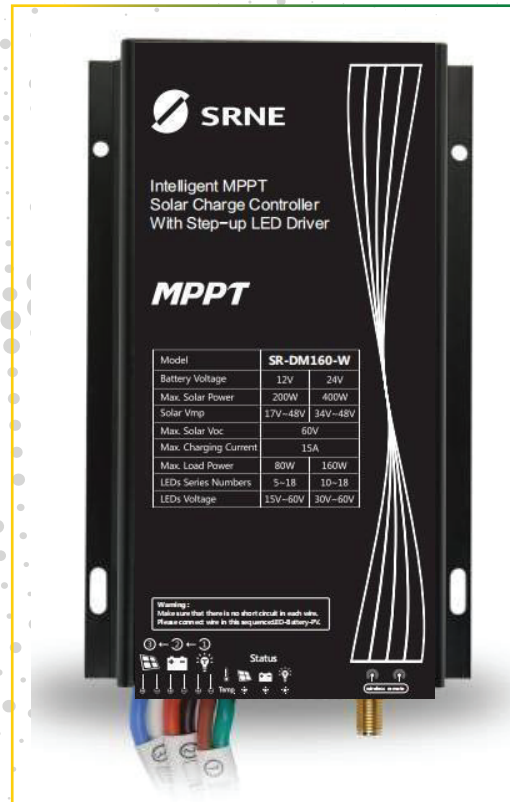
Description:

1. An antenna is integrated inside the external module, so there is no need for a separate antenna.
2. The external module uses a plug-in SIM card.



GPRS, 4G, NB-IOT solutions

Smart System



- IOT module build in solar charge controller (GPRS/NB-iot).
- Using MovingTrack MPPT maximum power tracking technology, tracking efficiency is higher, and the speed is faster.
- Common for lead-acid batteries and lithium batteries, operating parameters can be set via the remote control.
- Using ultraGreen power consumption control technology, with extremely low static power consumption and sleep current.
- Lead-acid battery multi-stage temperature compensation constant voltage charging.
- 10-time programmable load power/time control.
- Battery charge and discharge high and low temperature protection function, working temperature can be set.
- A variety of intelligent power modes can be selected, which can automatically adjust the load power according to the battery power.
- High-precision digital boost constant current control algorithm, high efficiency and constant current accuracy.
- 2.4G wireless communication, can set/read parameters, read status, etc.
- Multiple protection functions such as battery/PV reverse connection protection, LED short.

Smart System

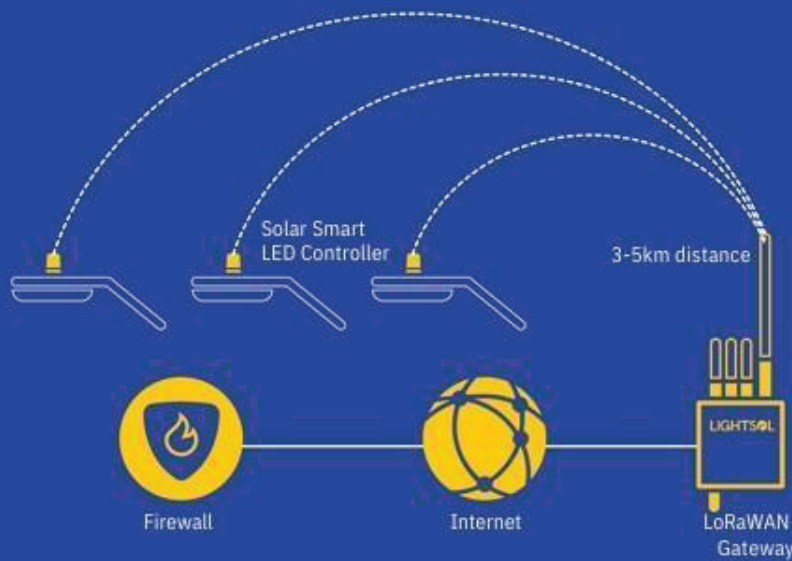
Comparison of networking solutions

Way of communication	Zigbee	LoRa	2G/4G	NB-iot
Communication distance	100m-1000m	100m-2000m	Above 10KM	Above 10KM
Centralized controller/gateway	need	need	Not needed	Not needed
Communication structure	Honeycomb (mesh)	Star	Star	Star
Power consumption	high	low	high	low
On-site construction complexity	high	high	low	low
Environmental adaptability	low	low	high	Low (gradual upgrade)
Cost	cheap	cheap	cheap	expensive
The suitability of solar street lights	low	low	high	Low (gradual upgrade)



Intelligent Solar Street Lighting Solution

Platform Architecture



Application Layer

- Smart City
- Smart Street
- Smart Traffic Light
- Smart Environment

Cloud Platform Layer

- Service Platform
- Data Analytics
- APIs
- Data Storage

IOT Gateway Layer

- Wireless Network
(LoRaWAN/LTE/4G)

Terminal Layer

- Lamp Controller
- Signal Repeater
- Temperature Sensor
- Light Sensor
- Presence Sensor

Our software and hardware solution boasts compatibility with all smart-ready Solar LED luminaires in the market. It utilizes advanced LoRaWAN RF communication technology for robust connectivity and incorporates fail-safe autonomy management for each luminaire. Additionally, the cloud software is tailored to local requirements, regularly updated, and adaptable to various business processes.



Awareness,
Control &
Optimization



Energy Savings
& Improved
Sustainability



Compatibility
& Interoperability



Cost
Efficient
Maintenance

Smart System



LoRaWAN + 4G (Hybrid) Specification

Chipset	Semtech
Channel	8 uplink channels
Frequency Band	AS923 + 4G/5G
Max Transmit Power	14 dBm. Max 20 dBm
Rx Sensitivity	- 142dBm (SF12)
Device Class	Class A and C
LoRaWAN Specification	1.1 and 1.0.x

INTERFACES AND COMMUNICATION

Modbus / RS485	4-pin SRNE MPPT Female
RS485 Parameters	Baud rate: 9600, Check bit: None, Data bit: 8bits, Stop bit: 1bit
Antenna Ports	1*LoRa N-Types 1*GPS N-Types

MECHANICAL SPECIFICATIONS

Power Supply	3V to 12V DC
Power Consumption	1.75W
Operational Temperature	-30°C - 60°C
Operational Humidity	5 to 95%, Non Condensing
Ingress Protection	IP67
Dimension	24 x 64 x 62 mm
Weight	150g

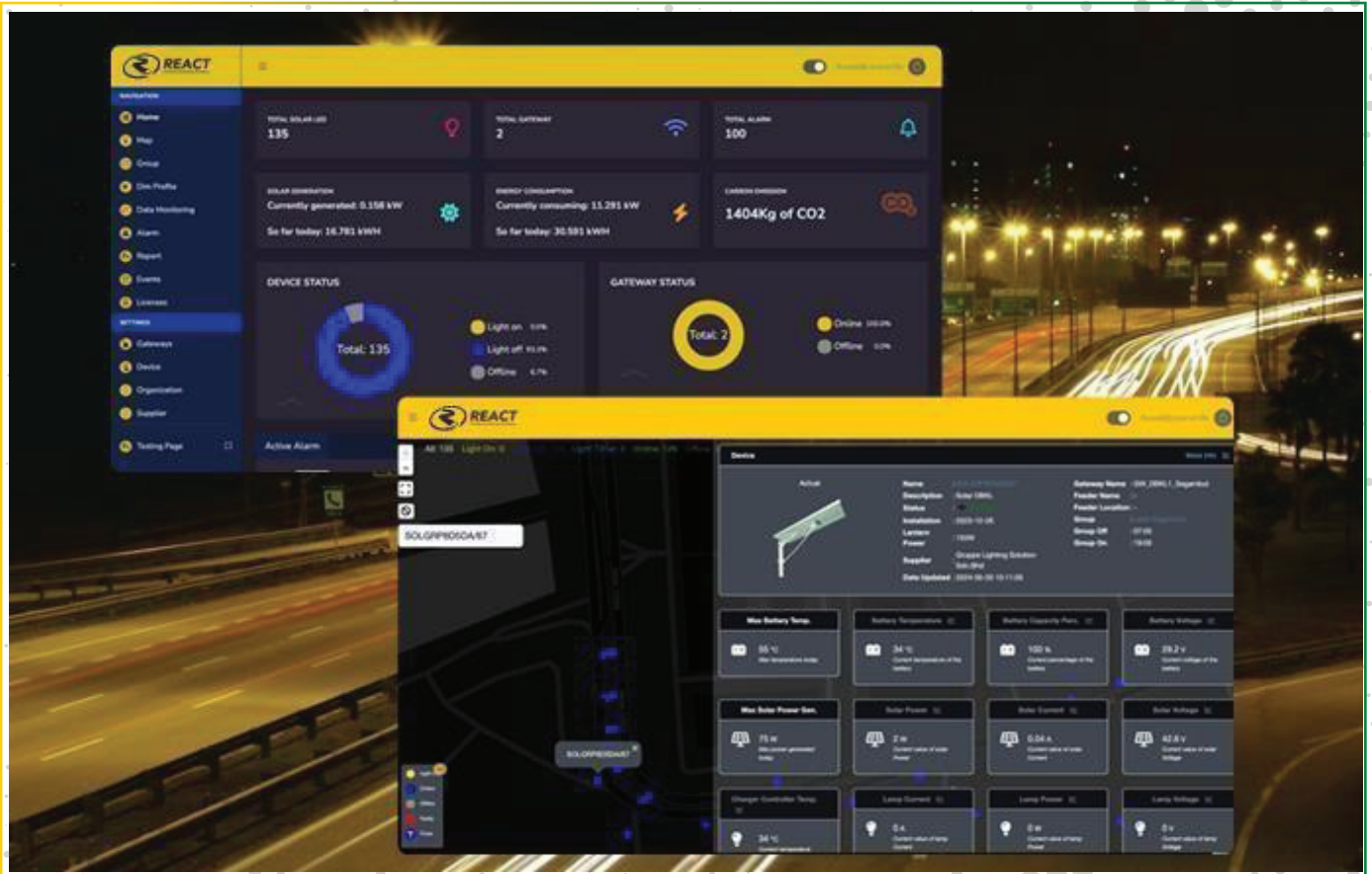
CERTIFICATION (HYBRID)

SIRIM / SKMM	SIRIM Pending Certification MySTI In Process
--------------	---

ORDERING INFORMATION

SOLC_M	LoRaWAN IoT method, built in GPS & tilt sensor
SOLC_GSM (Optional)	GSM method with eSIM chip, built in GPS & tilt sensor
SOLC-HYB	Hybrid LoRaWAN IoT + 4G Communication

Smart System





Solar Star Light -II

- Panels Power: 60W - 260W
- Lumen: 6000LM - 25000LM



Integrated Structure Design



ST2-60



ST2-80



ST2-100



ST2-160

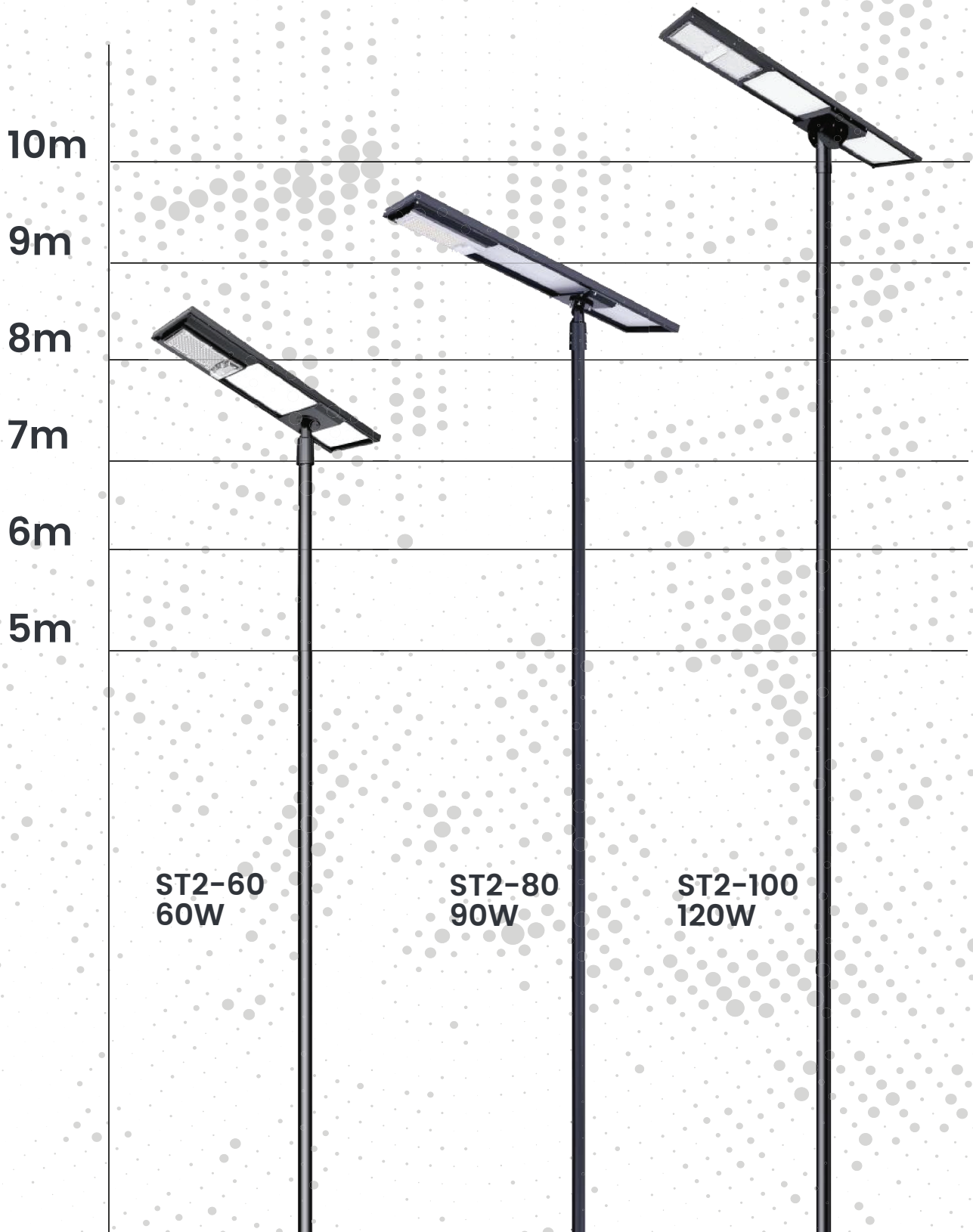


ST2-210

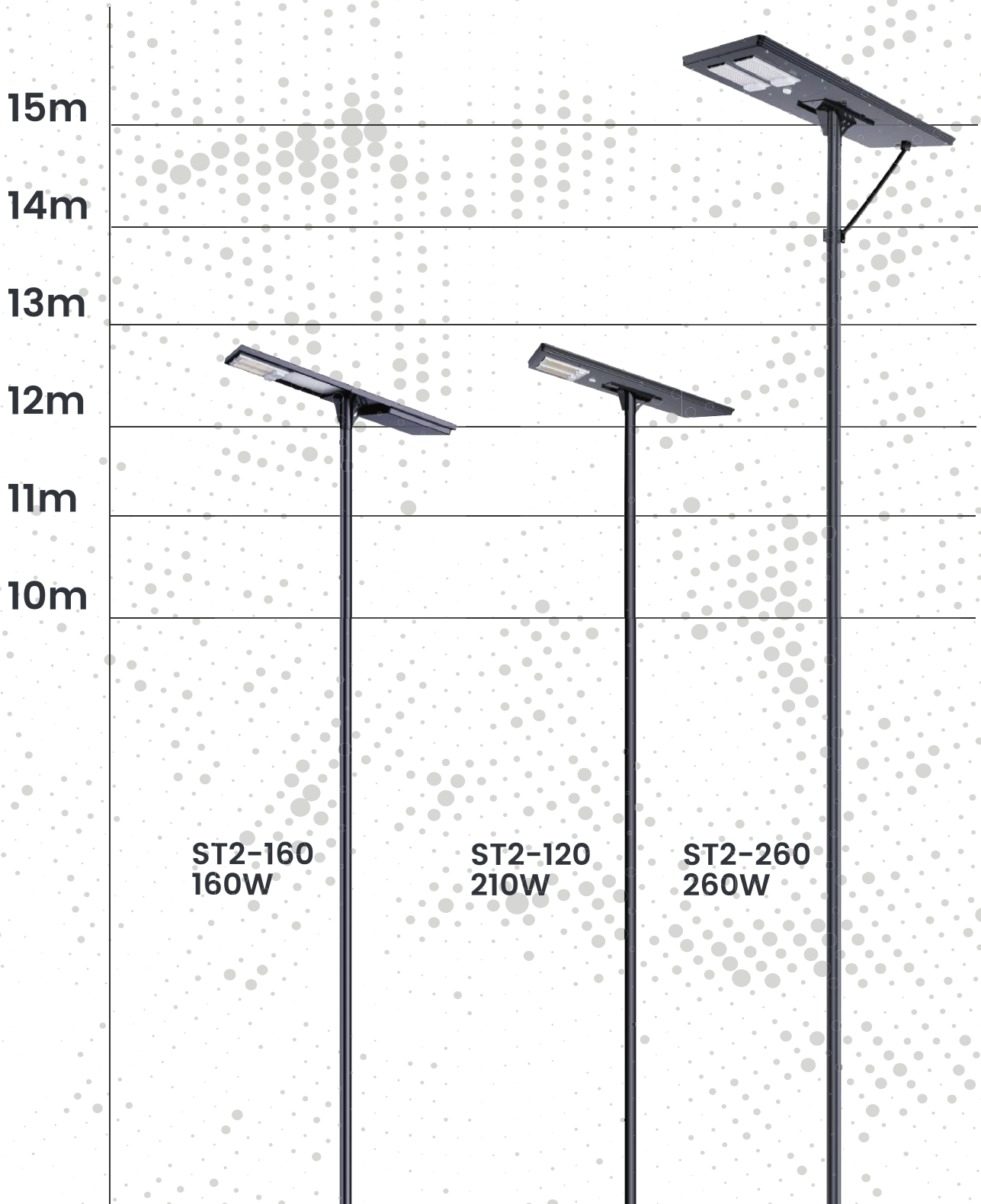


ST2-260

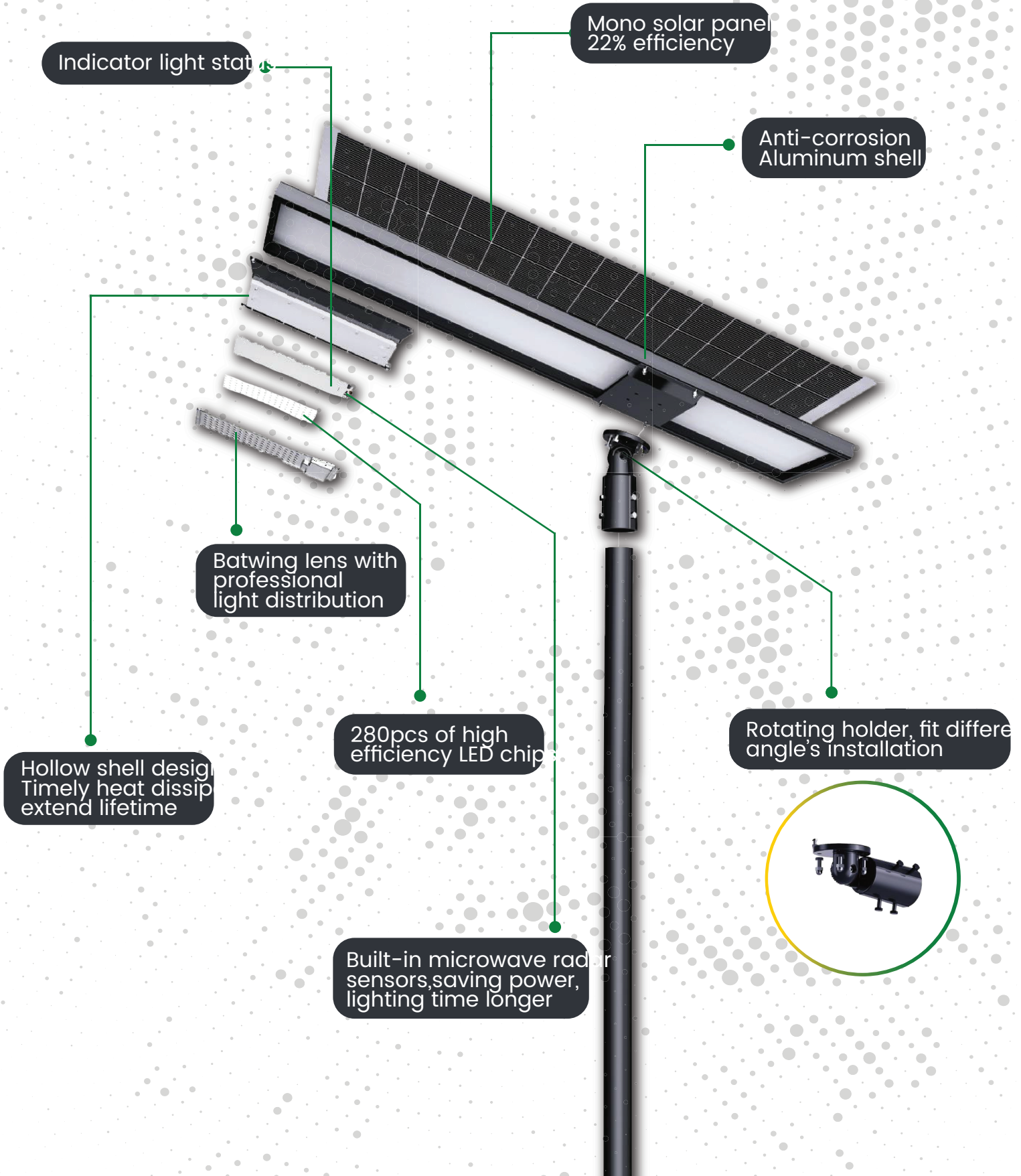
Lamp post installation height recommendation diagram



Lamp post installation height recommendation diagram



Advantages



Hollow shell design

Timely heat dissipation, extend lifetime



Core Technologies

Patented Appearance

Integrated design of solar panel, microcomputer controller, lithium battery and high-efficiency LED



Modular design

Modular design of battery and LED chip, transportation, installation and maintenance are more economical and simple light source



Proprietary control system

Self-developed solar controller can adjust different working modes freely, unique control system with more functions, stability is stronger; Option of microwave induction function to save power and have longer lighting time



The fourth generation of intelligent power control

Upgraded intelligent power control function to regulator reasonable discharge power according to intelligent judgment of recent weather conditions, support longer lighting time and more rainy daylight source



Intelligent high-efficiency lamp chips

280pcs of 5050 lamp chips, optimized brightness, the whole lighting efficiency is greater than 160lm/w light source



Intelligent charge and discharge management

Double protection of charging and discharging by software and hardware, and intelligent equalization technology, cycle charging and discharging more than 2000 times light source



Professional light distribution design

Equipped with patented lens to make the irradiation area more uniform light source



Indicator lights of battery capacity

Indicator lights of battery capacity display the power of the lamp obviously, which is convenient to observe the charging and discharging of the lamp light source



Rotating angle design

The illumination area and angle of light can be adjusted reasonably according to the width of the road light source



Remote Control

ST2-60

DEMO :	No matter day or night, light "on" for 1 minute. Only for test use
OFF :	Light "off", no matter day or night
L :	At night, 100%-2hrs, 60%-3hrs, 20%-dawn
T :	At night, 100%-3hr, 50%-3hrs, 30%-2hrs
M :	At night, 100% light when people come, 20% standby after 20 seconds
U :	At night, 100%-3hrs, 50%-3hrs (Highlight mode)

ST2-80/ST2-100/ST2-160/ ST2-210/ST2-260

DEMO :	No matter day or night, light "on" for 1 minute. Only for test use
OFF :	Light "off", no matter day or night
L :	At night, 100%-2hrs, 70%-2hrs, 30%-dawn.
T :	At night, 100%-1hr, 70%-2hrs, 40%-3hrs.
M :	At night, 50%-1hr, 100%-3hrs, 30%-dawn.
U :	100%-1hr, 70%-3hrs, 50% light when people come, 20% standby after 20 seconds.

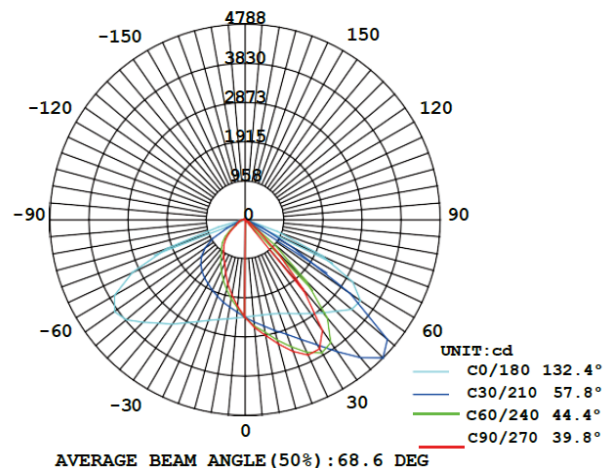
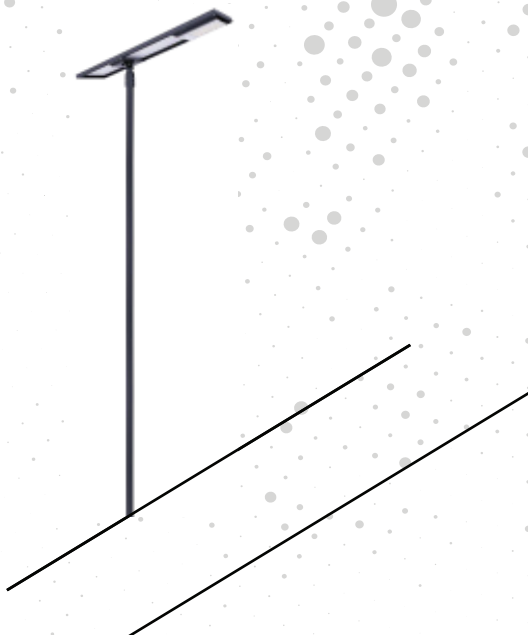


Note:

1. Default is L mode, once a certain mode was set successfully, it will be reserved until you change other modes with remote control.
2. U Highlight mode: Increase 30% on the original basis, mean 3H-130%, 3H-80%.


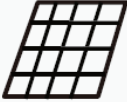


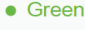
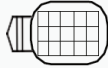
Light Distribution

Luminous intensity distribution curves.


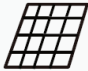


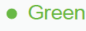
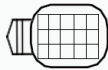


Indicator light status instructions

ST2-60/80/100/160

LED	Indications	Status	Functions
 	Charging Indication	Long-term on	During the day, it's not charging
		Slow twinkling	Be Charging
		Long-term off	Night
 	Battery Indication	Long-term on	Battery works normally
		Long-term off	Battery is not connected/No power
		Fast twinkling	Battery is over discharged
		Slow twinkling	Battery full charged
 	Load Indication	Long-term on	Load is on
		Long-term off	Load is off

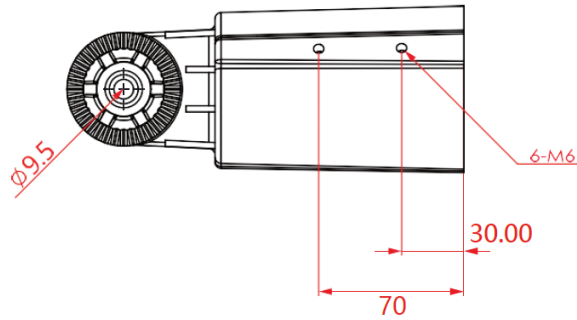
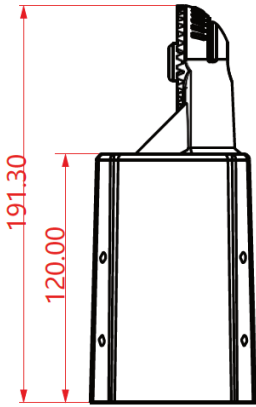
ST2-210/260

LED	Indications	Status	Functions
 	Charging Indication	Long-term on	Be Charging
		Long-term off	Solar panel voltage is lower than battery voltage/Battery full charged
 	Battery Indication	Long-term on	Battery works normally
		Long-term off	Battery is not connected/No power
		Fast twinkling	Battery is over discharged
		Slow twinkling	Battery full charged
 	Load Indication	Long-term on	Load is on
		Long-term off	Load is off

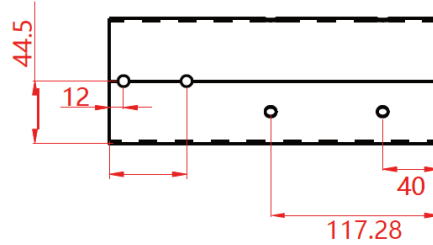
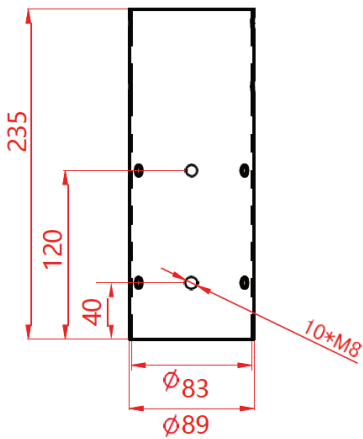
Dimension

Sleeve Depth

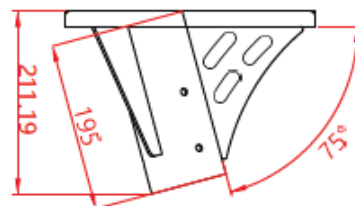
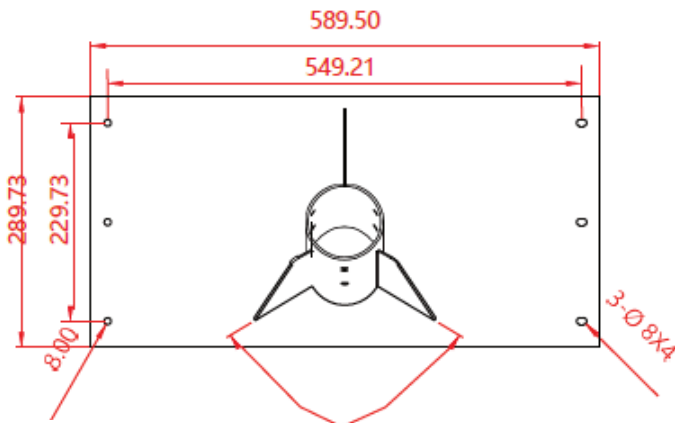
ST2-60/80



ST2-100

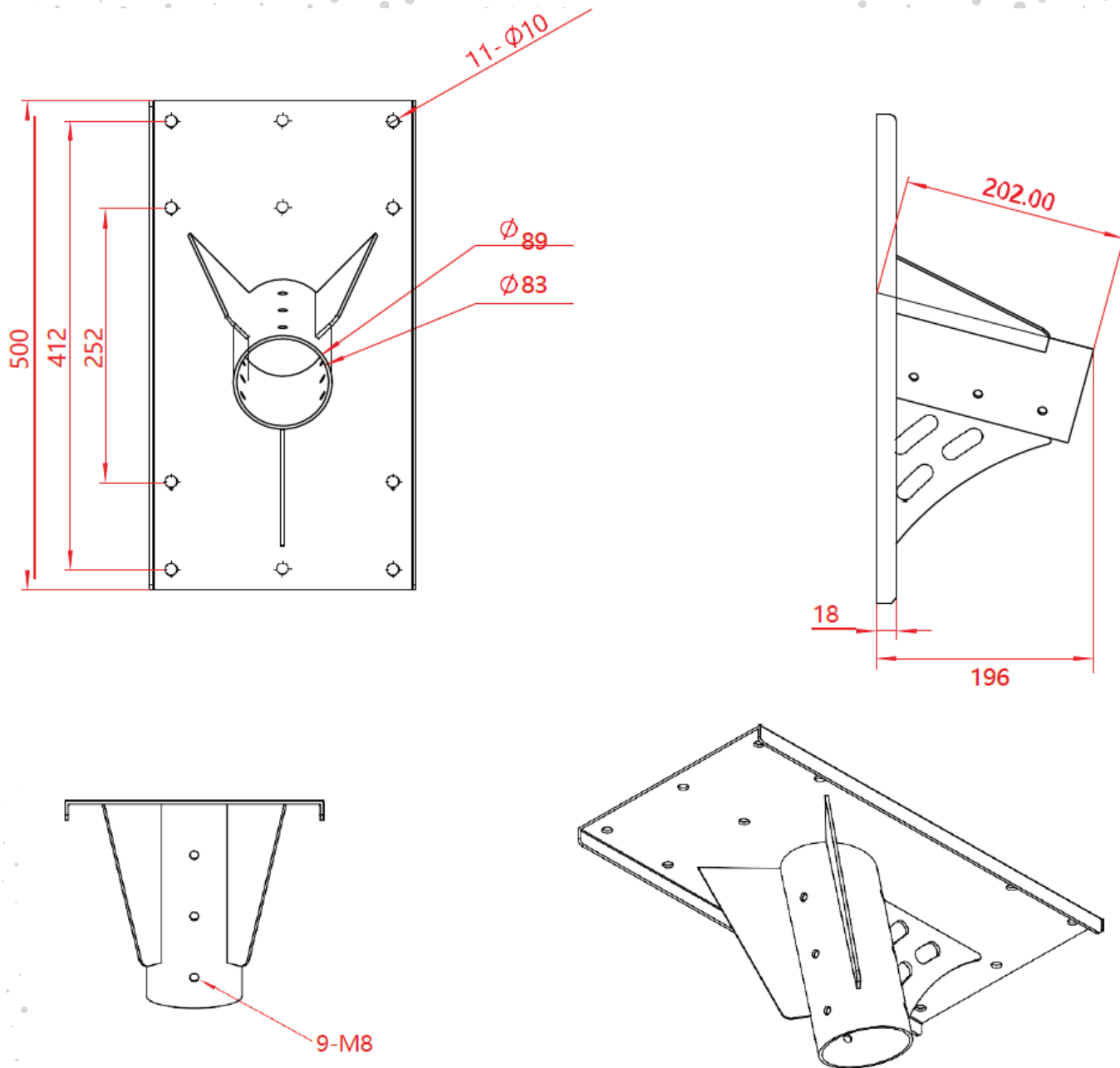


ST2-160



Dimension

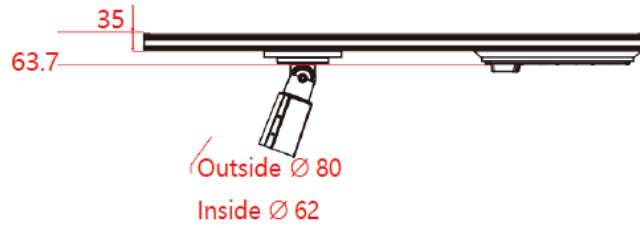
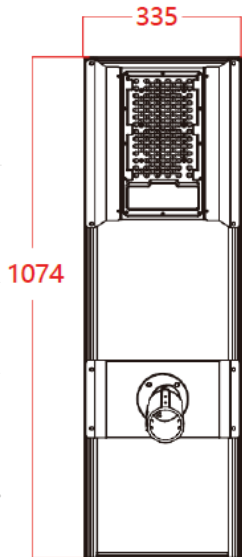
ST2-210/260



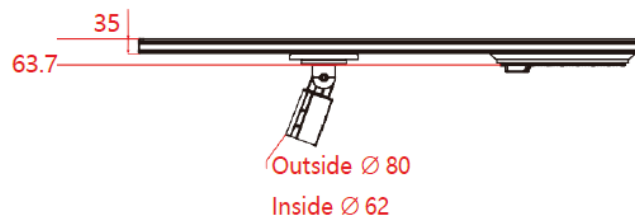
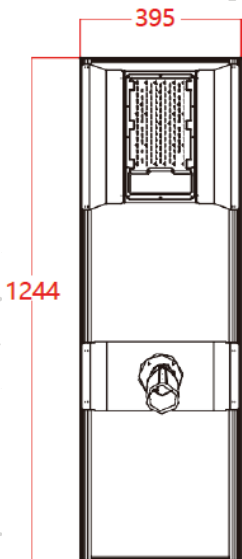
Dimension

Lamp Size

ST2-60

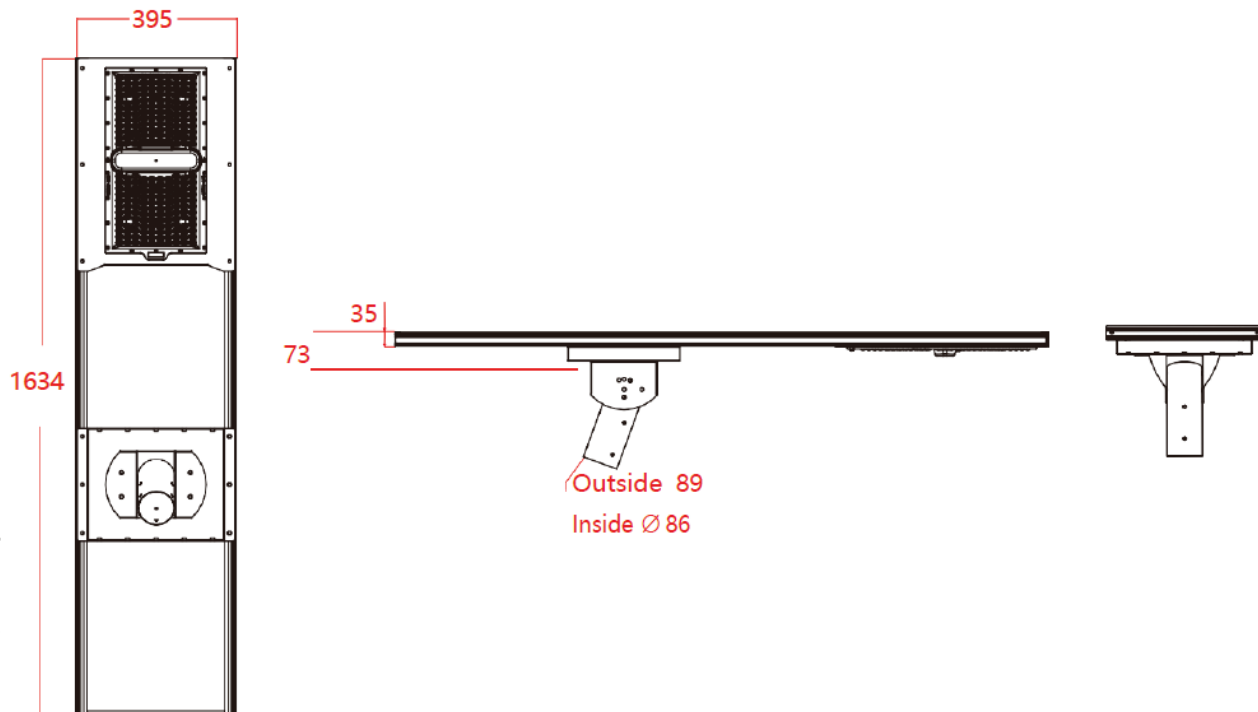


ST2-80

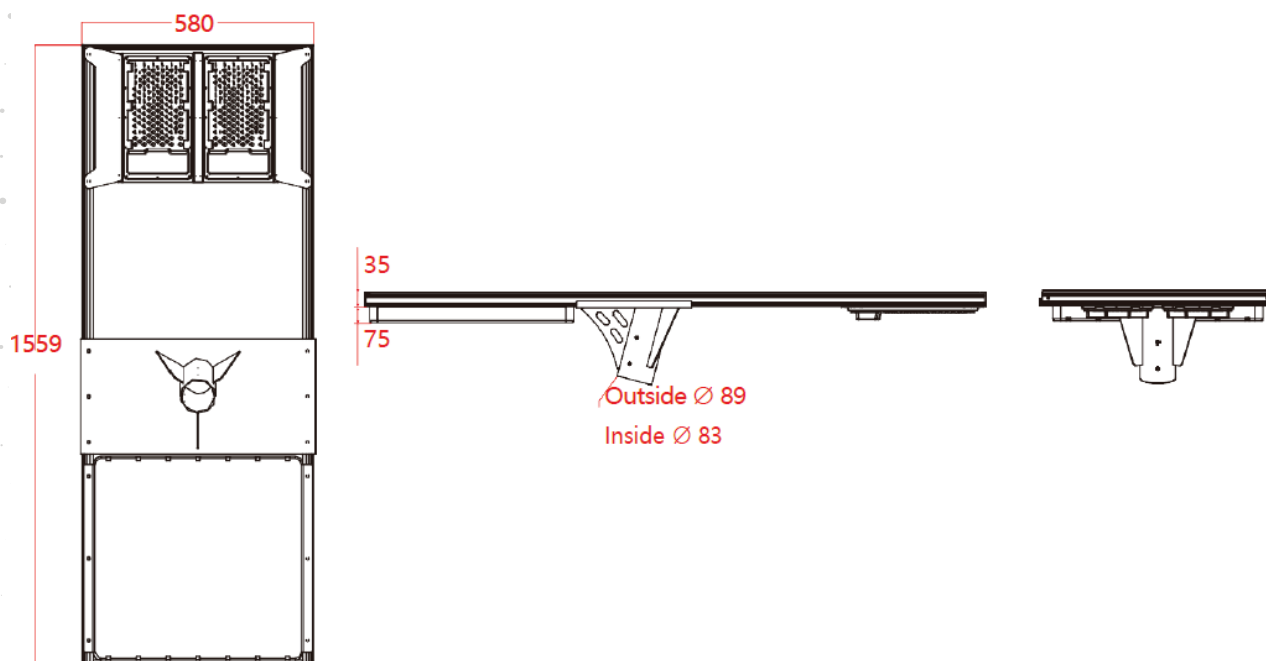


Dimension

ST2-100

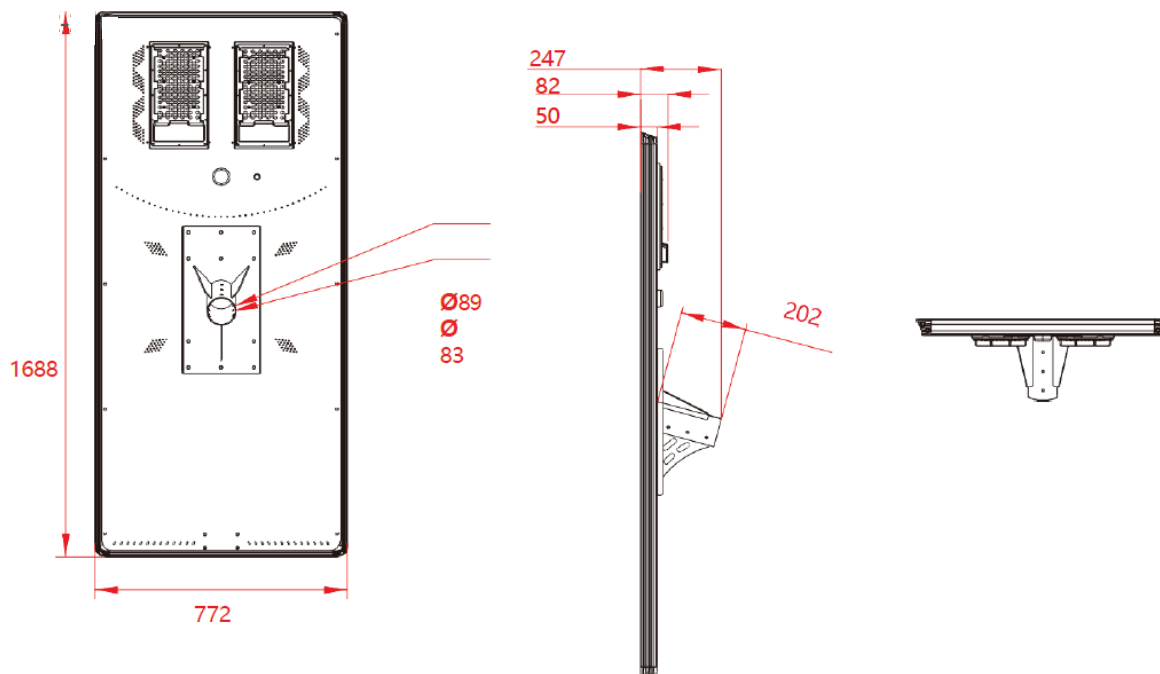


ST2-160

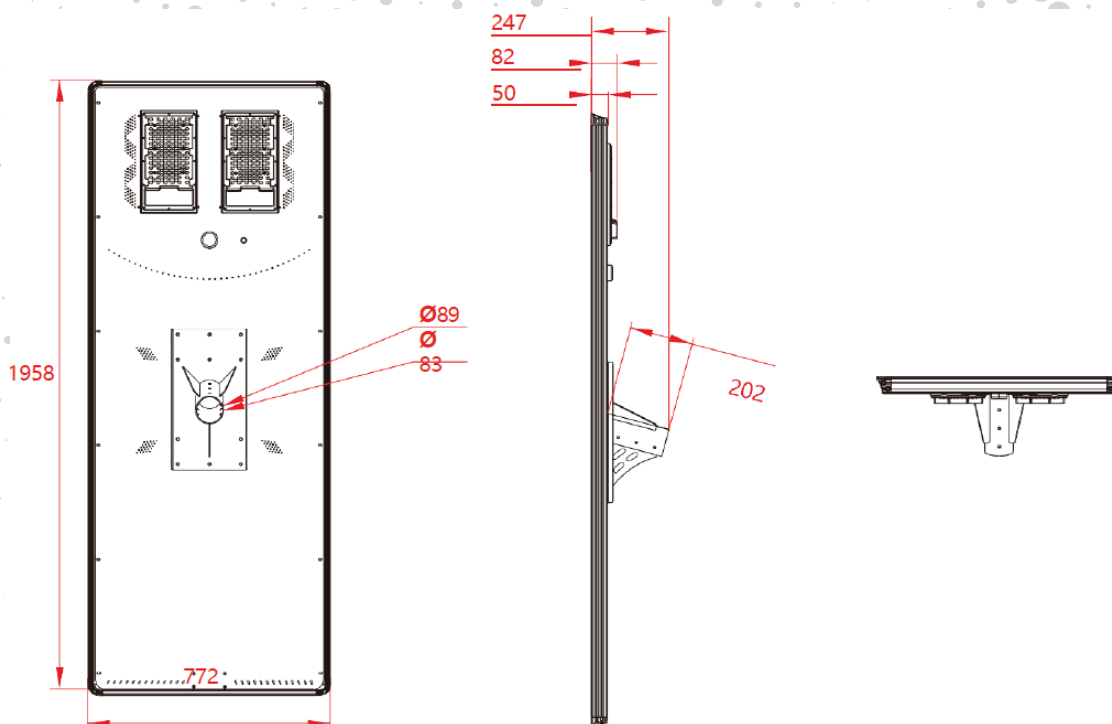


Dimension

ST2-210



ST2-260



Parameter

Type	ST2-60	ST2-60	ST2-60
LAMP HEAD			
LED Chip	140pcs		240pcs
Luminous flux	6000lm	10000lm	15000lm
Beam angle	150*70°		
Lifespan	50000hrs		
IP Rating	IP65		
Working temperature	-20°C~60°C (Charge above 0°C)		
Color temperature	3000k-7500k		
CRI	Ra≥70		
SOLAR PANEL			
Power	60W	90W	120W
Voltage	18V		
Solar cell efficiency	19%-22%		
Material	Monocrystalline silicon		
BATTERY			
Capacity	240WH/75AH	384WH/120AH	640WH/200AH
Lighting time(full charged)	5-7 rainy days		
Lithium battery	LiFePO4		
INSTALLATION			
Top diameter of pole	1561mm x 602mm		1807mm x 906.9 mm
Mounting height	6-7M	6-8M	8-10M
Installation spacing	20-40M		

Parameter

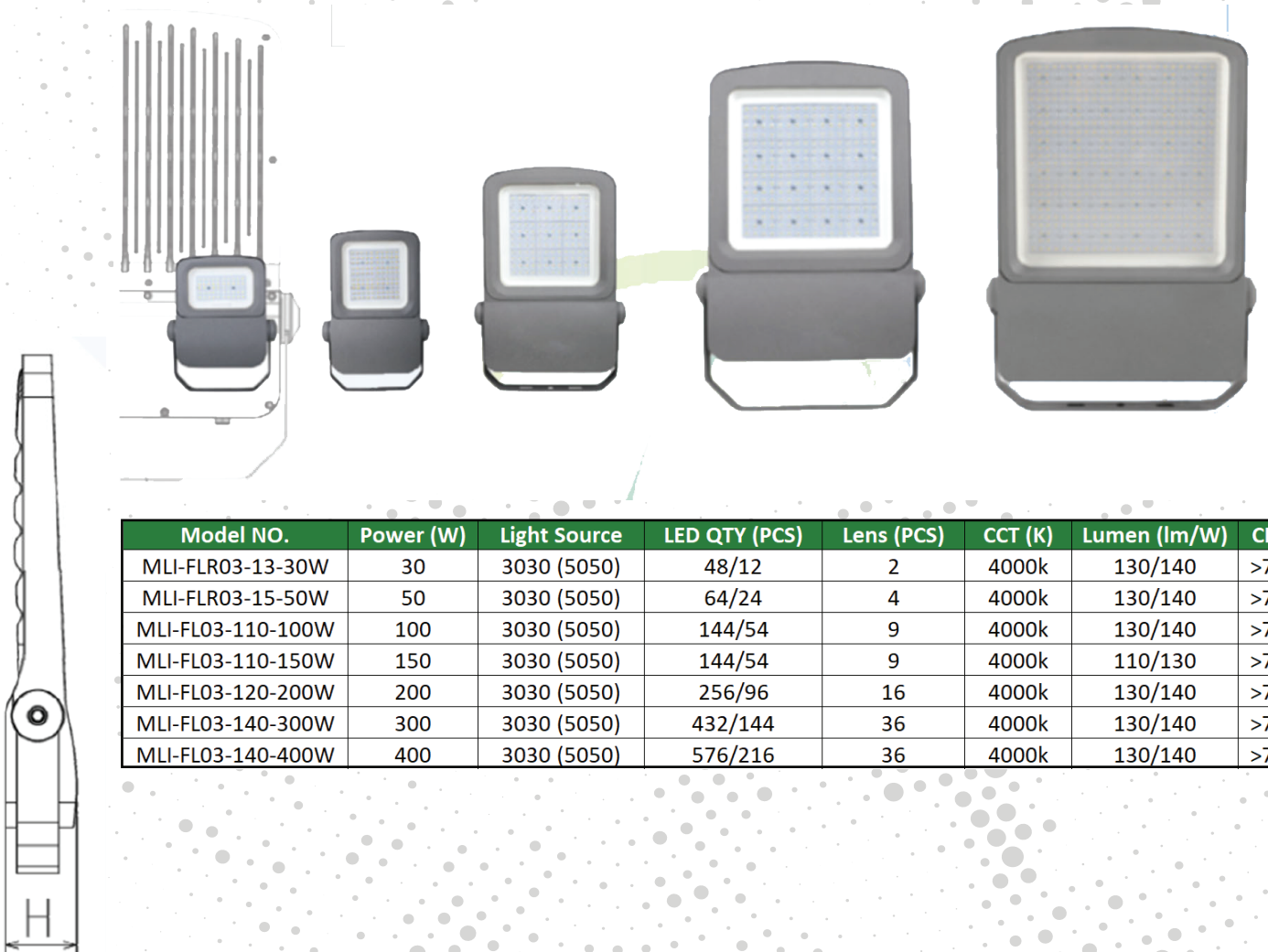
Type	ST2-160	ST2-210	ST2-260
LAMP HEAD			
LED Chip	280pcs		
Luminous flux	18000lm	21000lm	25000lm
Beam angle	150*70°		
Lifespan	50000hrs		
IP Rating	IP65		
Working temperature	-20°C~60°C (Charge above 0°C)		
Color temperature	3000k-7500k		
CRI	Ra≥70		
SOLAR PANEL			
Power	160W	210W	260W
Voltage	18V		
Solar cell efficiency	19%-22%		
Material	Monocrystalline silicon		
BATTERY			
Capacity	960WH/300AH	1536WH/480AH	1920WH/600AH
Lighting time(full charged)	5-7 rainy days		
Lithium battery	LiFePO4		
INSTALLATION			
Top diameter of pole	76 mm		
Mounting height	10-12M	10-12M	10-15M
Installation spacing	20-40M		

07

LED FLOOD LIGHT SERIES



LED FLOOD LIGHT



Model NO.	Power (W)	Light Source	LED QTY (PCS)	Lens (PCS)	CCT (K)	Lumen (lm/W)	CRI
MLI-FLR03-13-30W	30	3030 (5050)	48/12	2	4000k	130/140	>70
MLI-FLR03-15-50W	50	3030 (5050)	64/24	4	4000k	130/140	>70
MLI-FL03-110-100W	100	3030 (5050)	144/54	9	4000k	130/140	>70
MLI-FL03-110-150W	150	3030 (5050)	144/54	9	4000k	110/130	>70
MLI-FL03-120-200W	200	3030 (5050)	256/96	16	4000k	130/140	>70
MLI-FL03-140-300W	300	3030 (5050)	432/144	36	4000k	130/140	>70
MLI-FL03-140-400W	400	3030 (5050)	576/216	36	4000k	130/140	>70

≥0.95

Power Factor

70 Ra

CRI

IP66

IP Level

IK09

IK Level

6KV/10KV

Surge Voltage

**≥50000
Hrs**

TM-21 (L₇₀)

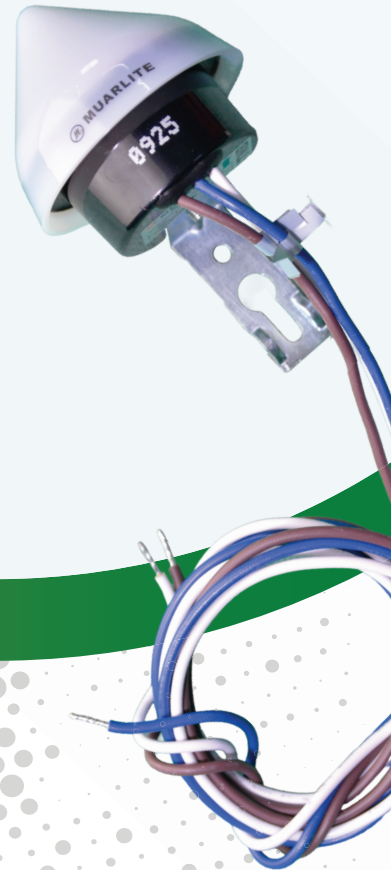
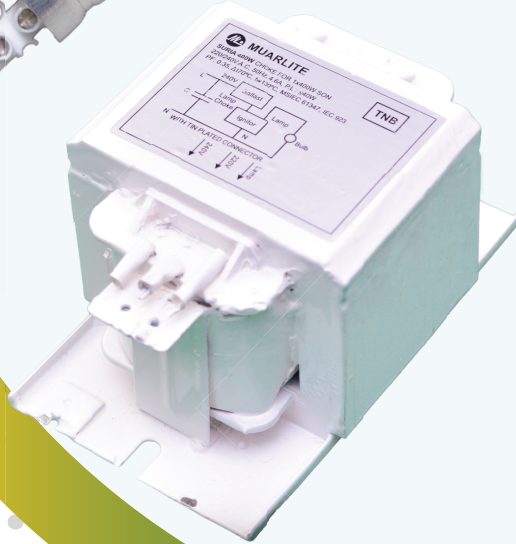
**AC 100-
277V**

Input Voltage

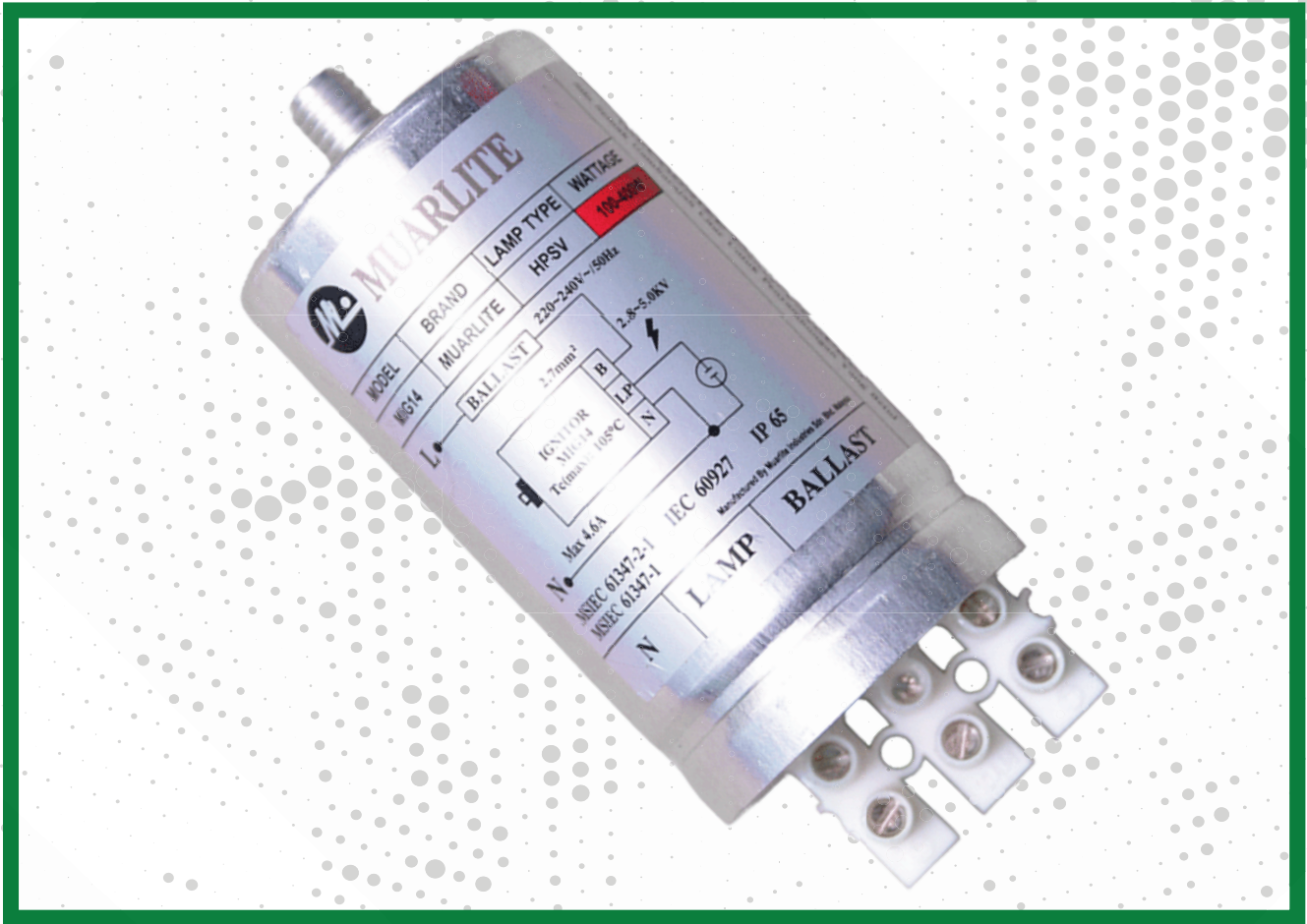
47-63Hz

Power
Frequency

06



ACCESSORIES



MUARLITE IGNITOR MIG SERIES



MODEL
MIG 7
MIG 14

APPROVAL
MS IEC 61347-1, MS IEC 61347-2-1, IEC 60927

MODEL MMLSL (B) 70



TECHNICAL DATA

ELECTRICAL

Wattage	70W
Voltage	220-240V~
Frequency	50Hz
Current	1.0A
Type of lamp	HPSV SON
Power factor	0.35A
Watt losses	≤11.9W
Δt(°)	70
tw(°)	130°C

OTHERS

Weight	1.25kg
Size	144.0±3.0mm (L) x 56.0±3.0mm (H) x 65.0±3.0mm (W)

MODEL SURIA 100W

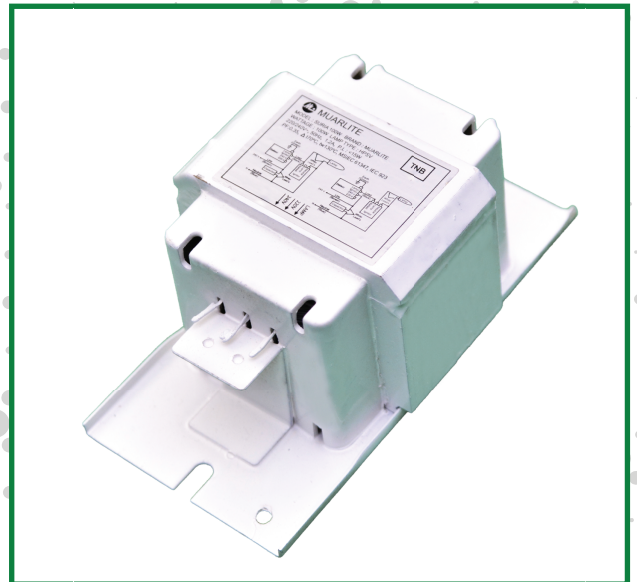
TECHNICAL DATA

ELECTRICAL

Wattage	100W
Voltage	220-240V~
Frequency	50Hz
Current	1.2A
Type of lamp	HPSV SON
Power factor	0.35A
Watt losses	≤15W
Δt(°)	70
tw(°)	130°C

OTHERS

Weight	1.8kg
Size	144.0±3.0mm (L) x 64.0±3.0mm (H) x 72.0±3.0mm (W)



BALLAST MUARLITE

MODEL MMLSL (B) 150W



TECHNICAL DATA

ELECTRICAL

Wattage	150W
Voltage	220-240V~
Frequency	50Hz
Current	1.8A
Type of lamp	HPSV SON
Power factor	0.36A
Watt losses	≤18W
Δt(°)	70
tw(°)	130°C

OTHERS

Weight	2.0kg
Size	144.0±3.0mm (L) x 64.0±3.0mm (H) x 72.0±3.0mm (W)

MODEL SURIA 250W

TECHNICAL DATA

ELECTRICAL

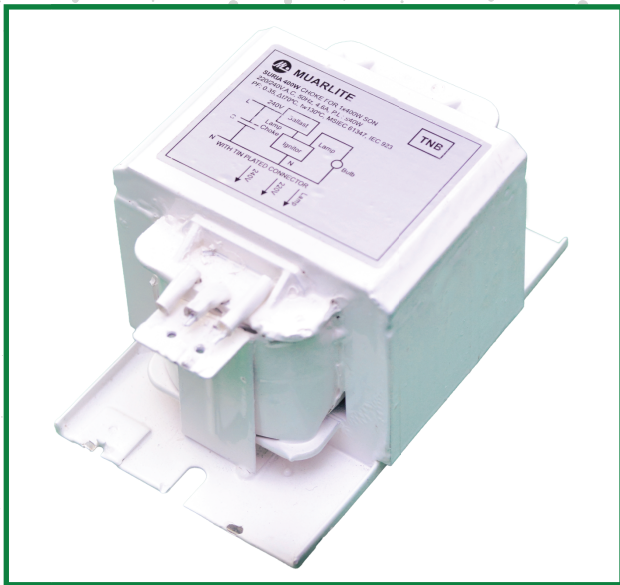
Wattage	250W
Voltage	220-240V~
Frequency	50Hz
Current	3.0A
Type of lamp	HPSV SON
Power factor	0.35A
Watt losses	≤27W
Δt(°)	70
tw(°)	130°C

OTHERS

Weight	3.1kg
Size	165.0±3.0mm (L) x 64.0±3.0mm (H) x 72.0±3.0mm (W)



MODEL MMLSL (B) 400W



TECHNICAL DATA

ELECTRICAL

Wattage	400W
Voltage	220-240V~
Frequency	50Hz
Current	4.6A
Type of lamp	HPSV SON
Power factor	0.35 λ
Watt losses	\leq 40W
$\Delta t(^{\circ})$	70
tw($^{\circ}$)	130 $^{\circ}$ C

OTHERS

Weight	4.1kg
Size	150.0 \pm 3.0mm (L) x 81.0 \pm 3.0mm (H) x 99.0 \pm 3.0mm (W)



MUARLITE CAPACITOR MLICAP SERIES



MODEL

MLICAP 10250

MLICAP 12250

MLICAP 20250

MLICAP 30250

MLICAP 40250

APPROVAL

MS IEC / IEC 61048:2006, MS IEC / IEC 61049:1999

TECHNICAL DATA

DETAIL	MLICAP 10250	MLICAP 12250	MLICAP 20250	MLICAP30250	MLICAP40250
Voltage	250V				
Frequenc	50Hz				
Type	A				
Rated Temperature	-25°C / 85°C				
Capacity	from 10 μ F to 40 μ F (\pm 10%)				
Fixing	Screw M8				
Capacitance	10 μ F \pm 10%	12 μ F \pm 10%	20 μ F \pm 10%	30 μ F \pm 10%	40 μ F \pm 10%
Dimension	ϕ 35 \pm 1mm(D)x70 \pm 1mm(H)	ϕ 35 \pm 1mm(D)x70 \pm 1mm(H)	ϕ 35 \pm 1mm(D)x70 \pm 1mm(H)	ϕ 35 \pm 1mm(D)x70 \pm 1mm(H)	ϕ 35 \pm 1mm(D)x70 \pm 1mm(H)

MLICAP 10250



MLICAP 12250



MLICAP 20250



MLICAP 30250

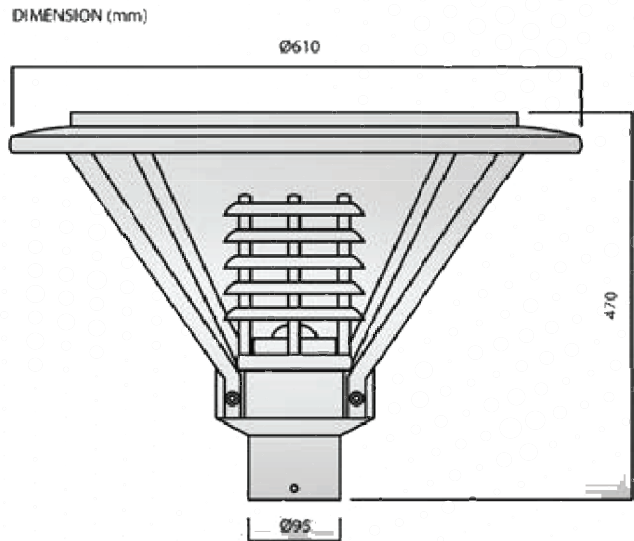


MLICAP 40250



COMPOUND LIGHTING

VISO

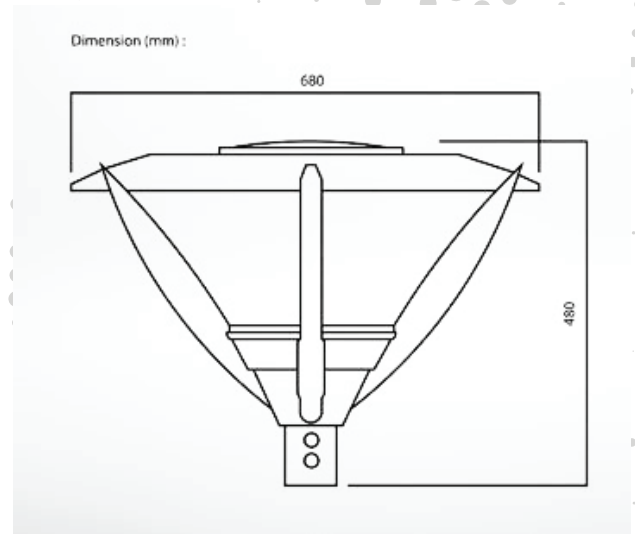


TECHNICAL DATA

DETAIL	EXPLANATION
Protection degree	IP 66
Insulation	Class II
Wattage	70W-125W-150W
Voltage	220V/50Hz
Weight	9Kg
Electrical Compartment	Internal
Range	Design for pole-mounted decorative illuminations and various installation
Applications	Ideal to light residential areas parks and boulevard areas
Body	Moulded in black color, self-extinguishing vo, fibre glass reinforce tehcnopolymer
Refractor	Reinforced and uv stabalized plexiglass, it protects the lamps againts possible vandalism and filtersultraviolet rays given out from the lamp
Cover/Top Cover	Turned steel, painted in polyster powders
Gasket	Anti ageing silicones
Lamp Holder	E27 type with porcelain base

MODEL VISO

COMPOUND LIGHTING ILUSI



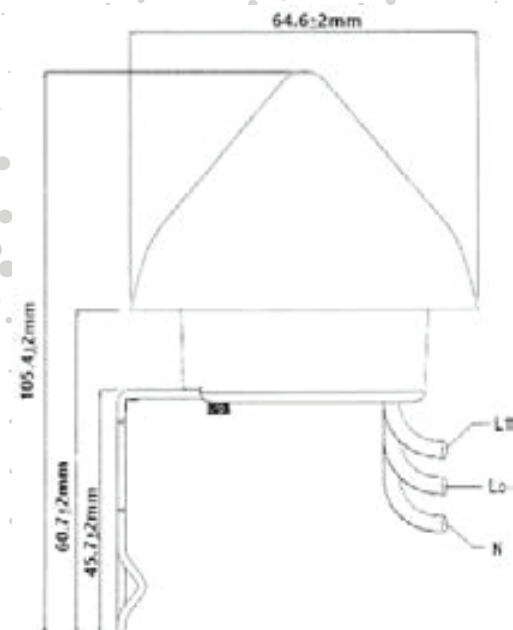
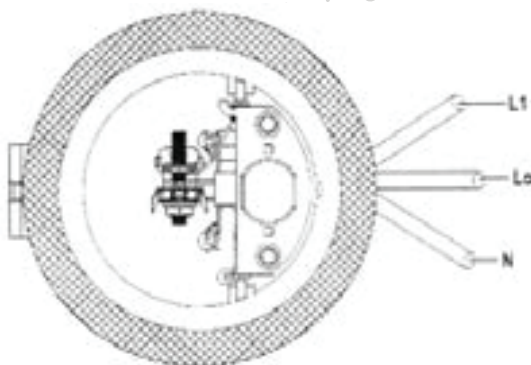
TECHNICAL DATA

DETAIL	EXPLANATION
Protection degree	IP 66
Insulation	Class II
Wattage	70W-150W CDM-T, 80W-125W QE, 70W-150W SE, 70W-150W ME
Voltage	230V/50Hz
Weight	9.6Kg
Electrical Compartment	Internal/External
Range	Post top with Ø 60 Mm support design for pole-mounted decorative illuminations
Applications	Ideal to light residential areas parks and boulevard areas
Body	Die-cast aluminium shaped to reproduce the classic design of an antique lanterns, and the high performances satisfy the most difficult and various installations
Cover/Top Cover	Protect by octagonal stainless steel screw
Gasket	Anti ageing silicones
Lamp Holder	STANDARD G12, E27 or E40

MODEL DARK ON V2

TECHNICAL SPECIFICATION

Parameter	Dark On V2
Voltage	20-240V~
Frequency	50-60Hz
Rated current (A)	6A
Turn-on light levels	10-20 Lux
Turn-off light levels	< 70 Lux
Time delay	30-100 Seconds
On/Off ratio	1:5
Operating temperature	-40°C to 70°C
Switch	>5000 On/Off operation at rated load
Switching delay	≤60 Seconds
Fail mode	ON
Type of PECU	Thermal bimetallic switch
Sensor & switching Enclosure	One-part unit
Light sensor	Cadmium sulfide (Cds) cell
Power consumption	≤ 0.7 watts at 120V~
IP	IP 44
Cover	UV stabilized impact resistant polycarbonate(PC)
Base	High temperature polyster (PBT)
Cable	UL1015 16AWG 1000mm Length
Mounting adapter	Mounting adapter Galvanized iron/stainless steel



MINI ISOLATOR SWITCH



TECHNICAL SPECIFICATION

Technical Data	MLIMIS-2P16A
Voltage	250V~
Frequency	50/60Hz
Pole/Current	2P 16A
IP	66
Electrical Insulation	CLASS 1
APPROVAL	IEC 60669-1, AS/NZS 3133, IEC 60529

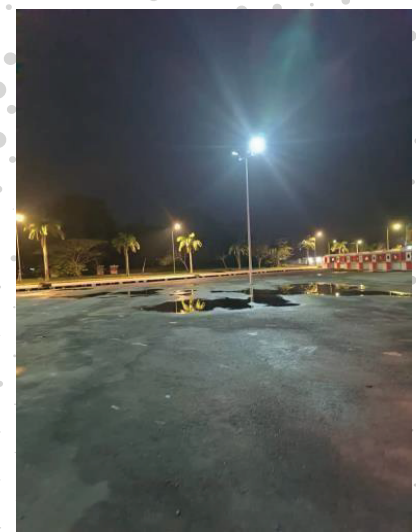
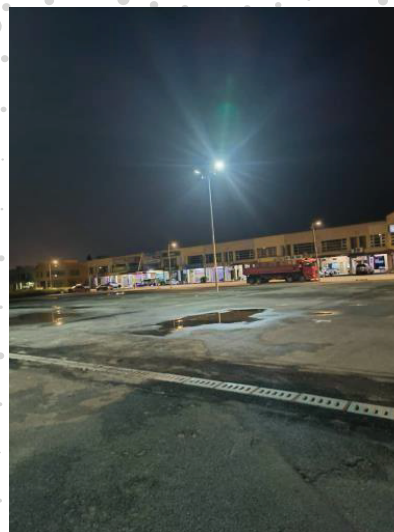
07



OUR PROJECTS

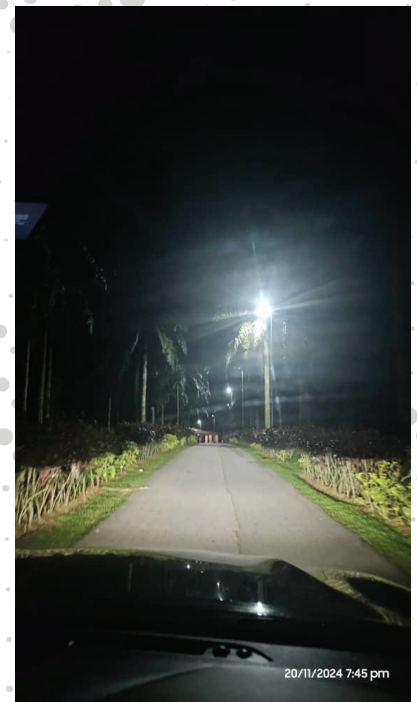
SOLAR PROJECT REFERENCES

PAGOH, JOHOR



SOLAR PROJECT REFERENCES

MAJLIS BANDARAYA ISKANDAR PUTERI, JOHOR



SOLAR PROJECT REFERENCES

MELAKA



NOTES



MUARLITE INDUSTRIES SDN. BHD.

Founded in 1989 and officiated by YAB Tan Sri Muhyiddin Yassin, Muarlite Industries began with 30 employees and has grown to a workforce of 100 employees. The company specializes in manufacturing street lighting and accessories, with products ranging from traditional fittings to modern LED street lights.

Recognized by SIRIM, TNB, UPM, UTM, and international labs, Muarlite supplies quality-certified products to major clients such as TNB, JKR, local councils, and private contractors. As an ISO 9001:2015 and ISO 14001:2015 certified company, Muarlite continues to strengthen its position in Malaysia and aims to expand into global markets.

Contact Us :

☎ 06-9812555

✉ muarlite@yahoo.com

🌐 www.muarlite.com.my

📍 KM3, Jalan Temenggong Ahmad,
84000 Muar, Johor